



SEABRIGHT®

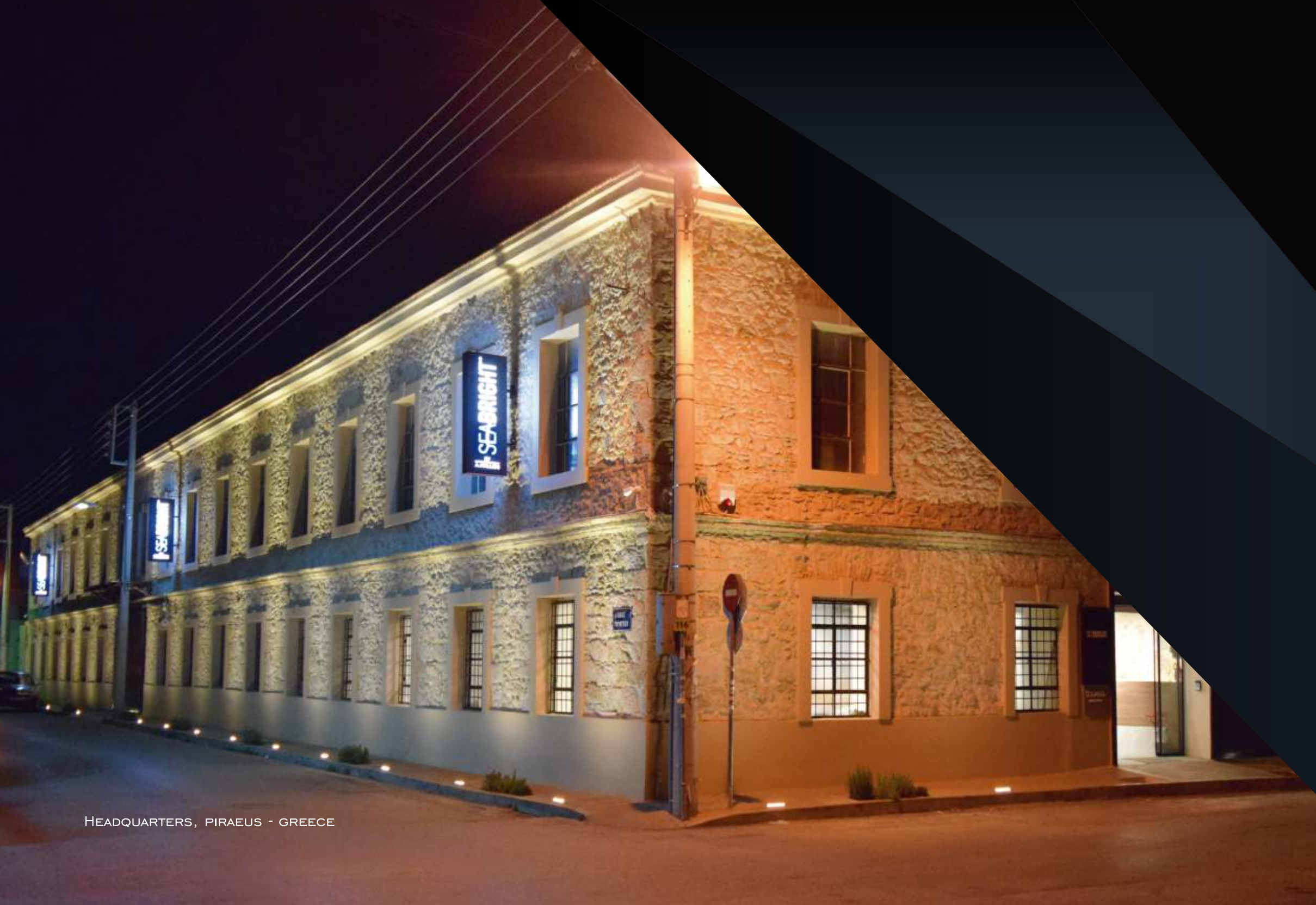
M A R I N E B R I G H T S O L O U T I O N S

SEABRIGHT®
BY
A. MALLIOS

■	FLOODLIGHT	08 - 17
■	TECHNICAL OUTDOOR	20 - 29
■	WALL, CEILING DOWNLIGHT	32 - 55
■	EMERGENCY	58 - 61
■	NAVIGATION LIGHTS	64 - 67
■	BRASS LIGHTS	70 - 73



CONTENTS



HEADQUARTERS, PIRAEUS - GREECE

SEABRIGHT®

BY A. MALLIOS



MADE IN GREECE



Founded in 1983 by Mr. Anastasios Mallios, who identified the market need for and branded a high-quality product in the field of maritime lighting in Greece.

The original goal of the company was about the designing, manufacturing and trading of lighting and general electrical equipment for use on board, maintaining the highest possible standards on every level.

The goals that followed were aimed towards developing the most complete retail wholesale company in Greece. This being the case, apart from exclusively representing the most prestigious electrical equipment brands in the Greek market, the decision was to develop a world where Sea Bright would monopolize the interest of all clients.

Today, SeaBright is a leader in the Greek and European market, with 35 years of experience in lighting and electrical equipment.

All of our products are designed and produced to meet all the maritime requirements and are certified by global leaders classification societies.

Our headquarters, in Greece, are developing and producing products **under the highest technology machines within a space of 3.500 sqm.**, thus we are saying **100% MADE IN GREECE.**

Continuing the developing and our customers needs for better and 24/7 assistance our company is operating 2 new sales offices in **Miami, Sea Bright USA** and **Gdansk, SeaBright POLAND.**

“REACHING THE LIGHT THROUGH DARKNESS”

Anastasios Mallios

FOUNDER OF SEA BRIGHT



SEABRIGHT®
BY A. MALLIOS



FLOODLIGHTS

MARINE **BRIGHT**
SOLUTIONS



ALUMINUM LED FLOODLIGHT

APOLLO 50

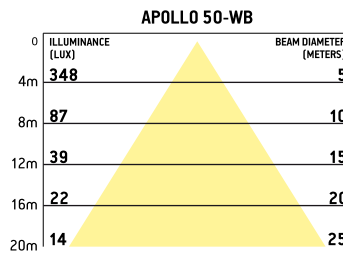
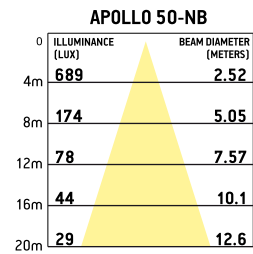
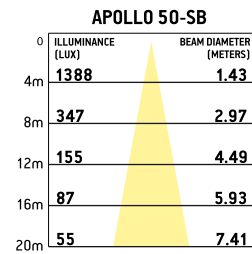


IP67

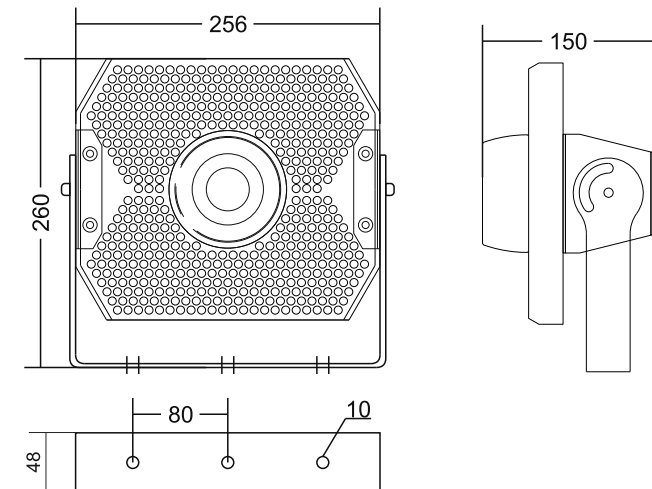


MARINE BRIGHT SOLUTIONS

DIMENSIONS



Code	Wattage	Voltage	Frequency	Beam
APOLLO 50-SB	55W	90-305V	50-60 Hz	21
APOLLO 50-NB	55W	90-305V	50-60 Hz	35
APOLLO 50-WB	55W	90-305V	50-60 Hz	64



TECHNICAL DATA

Application Area

- Multipurpose LED floodlights for engine rooms, weather-exposed areas, cargo holds, deck, stores, workshops, industrial areas

Design

- According to the rules of international classification societies, VDE and IEC

Housing

- Marine grade aluminum
- Diffuser made of safety glass

Lamps

- LED Module 7.250 lm

Mounting

- Stainless steel bracket

Electric

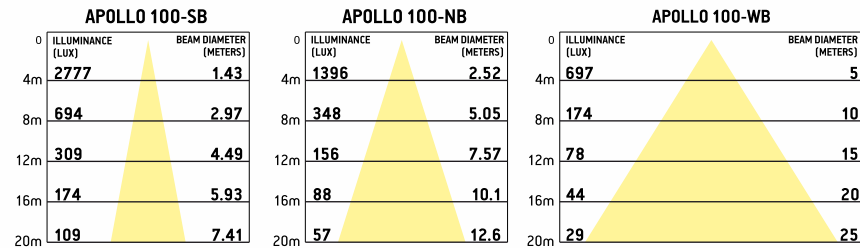
- 90-305 VAC 50-60 Hz

ALUMINUM LED FLOODLIGHT

APOLLO 100

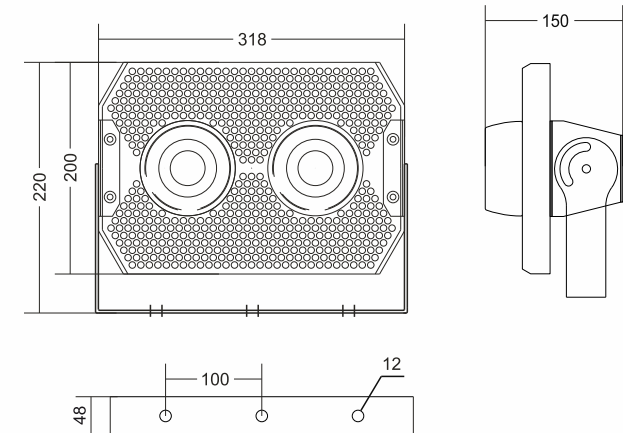


IP67



DIMENSIONS

Code	Wattage	Voltage	Frequency	Beam
APOLLO 100-SB	110W	90-305V	50-60 Hz	21°
APOLLO 100-NB	110W	90-305V	50-60 Hz	35°
APOLLO 100-WB	110W	90-305V	50-60 Hz	64°



TECHNICAL DATA

Application Area

- Multipurpose LED floodlights for engine rooms, weather-exposed areas, cargo holds, deck, stores, workshops, industrial areas

Design

- According to the rules of international classification societies, VDE and IEC

Lamps

- LED Module 14,500 lm

Housing

- Marine grade aluminum
- Diffuser made of safety glass

Electric

- 90-305 VAC 50-60 Hz

Mounting

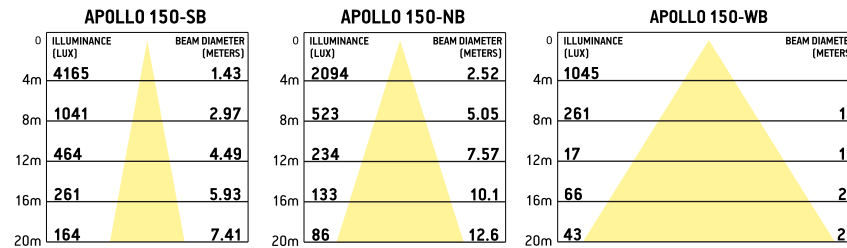
- Stainless steel bracket

ALUMINUM LED FLOODLIGHT

APOLLO 150

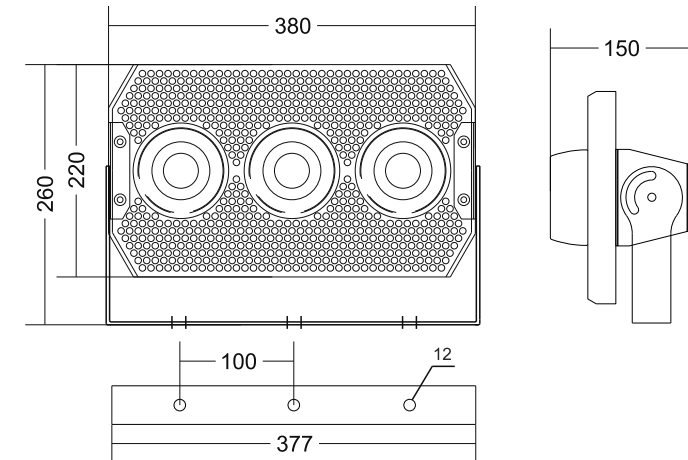


MARINE BRIGHT SOLUTIONS



DIMENSIONS

Code	Wattage	Voltage	Frequency	Beam
APOLLO 150-SB	160W	90-305V	50-60 Hz	21°
APOLLO 150-NB	160W	90-305V	50-60 Hz	35°
APOLLO 150-WB	160W	90-305V	50-60 Hz	64°



TECHNICAL DATA

Application Area

- Multipurpose LED floodlights for engine rooms, weather-exposed areas, cargo holds, deck, stores, workshops, industrial areas

Design

- According to the rules of international classification societies, VDE and IEC

Housing

- Marine grade aluminum
- Diffuser made of safety glass

Mounting

- Stainless steel bracket

Lamps

- LED Module 21.750 lm

Electric

- 90-305 VAC 50-60 Hz

ALUMINUM LED FLOODLIGHT

APOLLO 200



IP67



APOLLO 200-SB

ILLUMINANCE (LUX)	BEAM DIAMETER (METERS)
5554	1.43
1388	2.97
619	4.49
348	5.93
218	7.41

APOLLO 200-NB

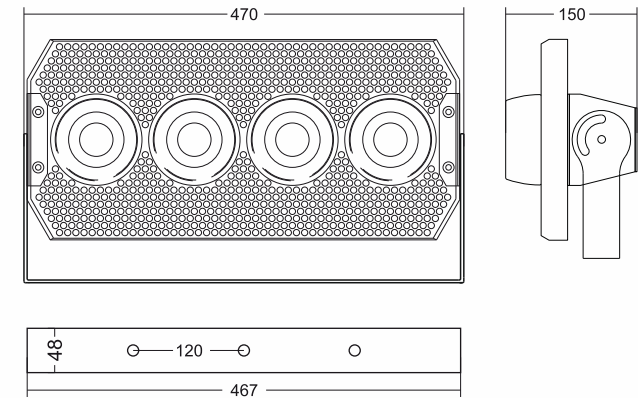
ILLUMINANCE (LUX)	BEAM DIAMETER (METERS)
2792	2.52
697	5.05
312	7.57
177	10.1
114	12.6

APOLLO 200-WB

ILLUMINANCE (LUX)	BEAM DIAMETER (METERS)
1394	5
348	10
156	15
88	20
57	25

DIMENSIONS

Code	Wattage	Voltage	Frequency	Beam
APOLLO 200-SB	210W	90-305V	50-60 Hz	21°
APOLLO 200-NB	210W	90-305V	50-60 Hz	35°
APOLLO 200-WB	210W	90-305V	50-60 Hz	64°



TECHNICAL DATA

Application Area

- Multipurpose LED floodlights for engine rooms, weather-exposed areas, cargo holds, deck, stores, workshops, industrial areas

Design

- According to the rules of international classification societies, VDE and IEC

Lamps

- LED Module 27.000 lm

Electric

- 90-305 VAC 50-60 Hz

Housing

- Marine grade aluminum
- Diffuser made of safety glass

Mounting

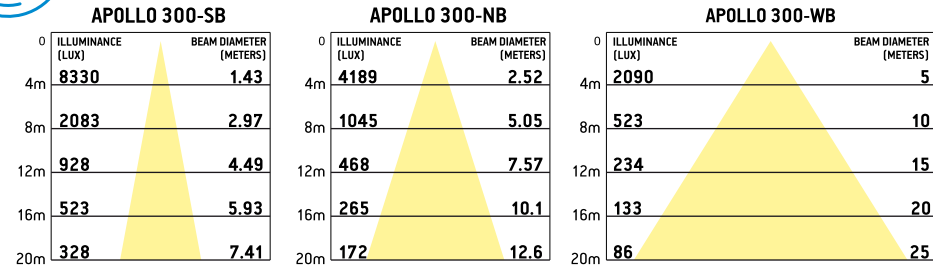
- Stainless steel bracket

ALUMINUM LED FLOODLIGHT

APOLLO 300

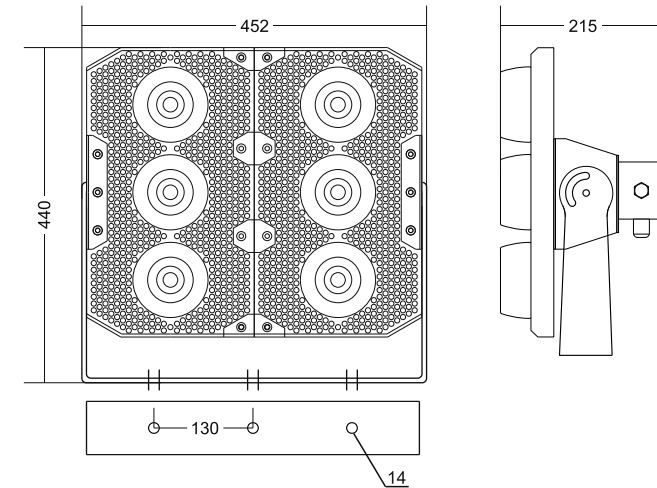


MARINE BRIGHT SOLUTIONS



DIMENSIONS

Code	Wattage	Voltage	Frequency	Beam
APOLLO 300-SB	325W	90-305V	50-60 Hz	21°
APOLLO 300-NB	325W	90-305V	50-60 Hz	35°
APOLLO 300-WB	325W	90-305V	50-60 Hz	64°



TECHNICAL DATA

Application Area

- Multipurpose LED floodlights for engine rooms, weather-exposed areas, cargo holds, deck, stores, workshops, industrial areas

Design

- According to the rules of international classification societies, VDE and IEC

Mounting

- Stainless steel bracket with three holes Ø10

Housing

- Marine grade aluminum
- Diffuser made of safety glass

Lamps

- LED Module 40.500 lm

Electric

- 90-305 VAC 50-60 Hz

STAINLESS STEEL FLOODLIGHT

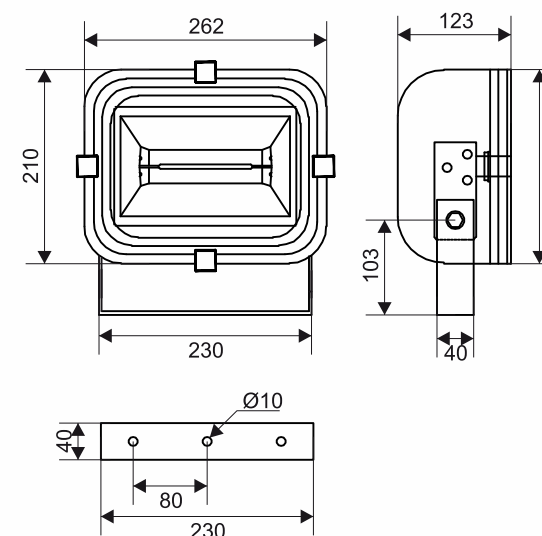
AEGEAN I



IP67

DIMENSIONS

Code	Voltage	Frequency	Power	Lamp Lumen	Lamp
AEGEAN 1	110-240V	50-60Hz	200W	2850	R7s
			300W	4600	R7s
			500W	9000	R7s



TECHNICAL DATA

Application Area

Multipurpose floodlights for engine rooms, weather-exposed areas, cargo holds, deck, stores, workshops, industrial areas

Design

- According to the rules of international classification societies, VDE and IEC

Mounting

- Stainless steel bracket with three holes $\varnothing 10$

Electric

- 230 V 50 or 60 Hz, Flexible cable, heat resistant

Housing

- Stainless steel, powder coated white RAL 9016
- Diffuser made of safety glass
- Reflector made of anodized aluminum, wide beam angle

Lamps

- R7s max 500W

Cable entry

- Brass cable gland M20

Connection

- 3 pole terminal 6mm²
- Junction box (optional)

STAINLESS STEEL FLOODLIGHT

AEGEAN 2 R7s

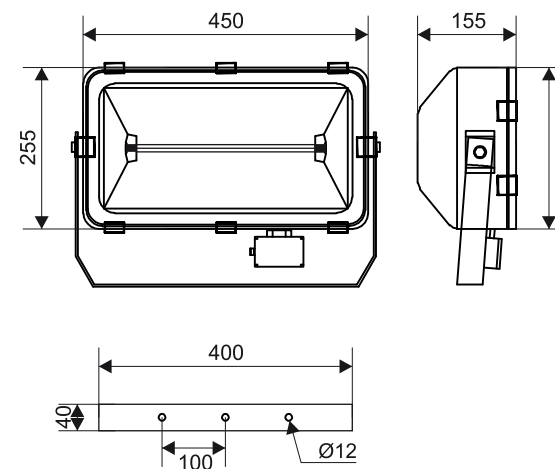


IP67

MARINE BRIGHT SOLUTIONS

DIMENSIONS

Code	Voltage	Frequency	Power	Lamp Lumen	Lamp
AEGEAN 2-R7s	110-240V	50-60Hz	750W	15000	R7s
AEGEAN 2-R7s	110-240V	50-60Hz	1000W	21000	R7s



TECHNICAL DATA

Application Area

- Multipurpose floodlights for engine rooms, weather-exposed areas, cargo holds, deck, stores, workshops, industrial areas

Design

- According to the rules of international classification societies, VDE and IEC

Mounting

- Stainless steel bracket with three holes Ø12

Lamps

- R7s max 1000W

Cable entry

- Brass cable gland M20

Housing

- Stainless steel, powder coated white RAL 9016
- Diffuser made of safety glass
- Reflector made of anodized aluminum, wide beam angle

Electric

- 230 V 50 or 60 Hz, Flexible cable, heat resistant

Connection

- 3 pole terminal 6mm²
- Junction box(optional)

STAINLESS STEEL FLOODLIGHT

AEGEAN 2 E40

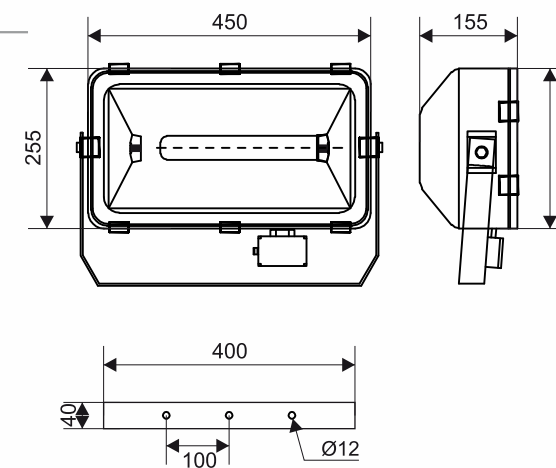


IP67

MARINE BRIGHT SOLUTIONS

DIMENSIONS

Code	Voltage	Frequency	Power	Lamp
AEGEAN 2-E40	PLEASE SEE THE BALLAST UNIT TABLE			E40



Order Codes

Code	Voltage	Frequency	Ballast
BU-250-11	230V	50 Hz	11.5 Kg
BU-250-12	230V	60 Hz	11.5 Kg
BU-250-14	110V	60 Hz	11.5 Kg
BU-400-11	230V	50 Hz	12 Kg
BU-400-12	230V	60 Hz	12 Kg
BU-400-14	110V	60 Hz	12 Kg



TECHNICAL DATA

Application Area

- Multipurpose floodlights for engine rooms, weather-exposed areas, cargo holds, deck, stores, workshops, industrial areas

Design

- According to the rules of international classification societies, VDE and IEC

Mounting

- Stainless steel bracket with three holes Ø12

Electric

- 230 V 50 or 60 Hz, Flexible cable, heat resistant

Housing

- Stainless steel, powder coated white RAL 9016
- Diffuser made of safety glass
- Reflector made of anodized aluminum, wide beam angle

Lamps

- E40 max 400W

Cable entry

- Brass cable gland M20

Connection

- 3 pole terminal 6mm²
- Junction box(optional)

STAINLESS STEEL FLOODLIGHT FOR HST HSI E40 LAMP

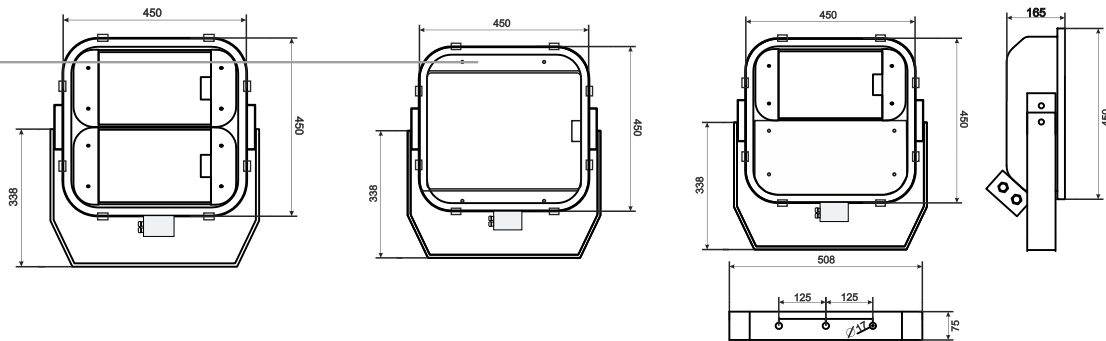
AEGEAN 3

IP67



DIMENSIONS

Code	Voltage	Frequency	Power	Lamp
AEGEAN 3-2E40	PLEASE SEE THE BALLAST UNIT TABLE			2xE40
AEGEAN 3-E40	PLEASE SEE THE BALLAST UNIT TABLE			E40



Code	Voltage	Frequency	Ballast
BU-250-21	230V	50 Hz	19 Kg
BU-250-22	230V	60 Hz	19 Kg
BU-250-24	110V	60 Hz	19 Kg
BU-400-21	230V	50 Hz	20 Kg
BU-400-22	230V	60 Hz	20 Kg
BU-400-24	110V	60 Hz	20 Kg

Order Codes

Code	Voltage	Frequency	Lamp
BU-1000-11	230V	50 Hz	19 Kg
BU-1000-12	230V	60 Hz	19 Kg



Code	Voltage	Frequency	Weight
AEGEAN 3-250-11	230V	50 Hz	20 Kg
AEGEAN 3-250-12	230V	60 Hz	20 Kg
AEGEAN 3-250-14	110V	60 Hz	20 Kg
AEGEAN 3-400-11	230V	50 Hz	20 Kg
AEGEAN 3-400-12	230V	60 Hz	20 Kg
AEGEAN 3-400-14	110V	60 Hz	20 Kg

TECHNICAL DATA

Application Area

- Multipurpose floodlights for engine rooms, weather-exposed areas, cargo holds, deck, stores, workshops, industrial areas

Design

- According to the rules of international classification societies, VDE and IEC

Housing

- Stainless steel, powder coated white RAL 9016
- Diffuser made of safety glass
- Reflector made of anodized aluminum, wide or narrow beam angle

Lamps

- HST/HSI-E40

Mounting

- Stainless steel bracket with three holes Ø17

Electric

- 230 V 50 or 60 Hz, Flexible cable, heat resistant

Cable entry

- Brass cable gland M25

Connection

- Junction box with 6mm² terminal and ignitors



SEABRIGHT®
BY A. MALLIOS



OUTDOOR LIGHTS

MARINE BRIGHT
SOLUTIONS

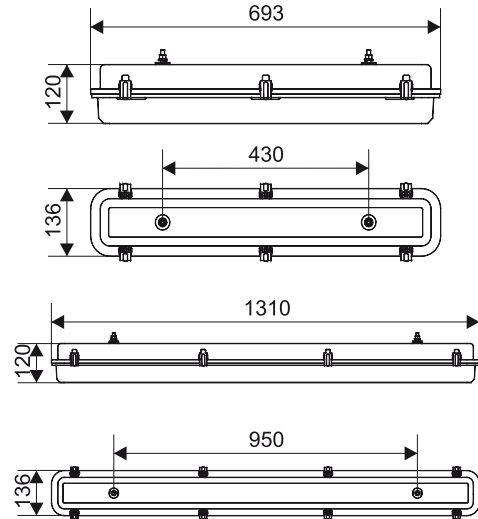
SURFACE WATERTIGHT FLUORESCENT LUMINARY

POSEIDON



IP67

MARINE BRIGHT SOLUTIONS



CODE	VOLTAGE	FREQUENCY	BALLAST	LAMP	CODE	VOLTAGE	FREQUENCY	BALLAST	LAMP
POSEIDON 118-11	230V	50Hz	1 MAGNETIC	G13	POSEIDON 136-11	230V	50Hz	1 MAGNETIC	G13
POSEIDON 118-12	230V	60Hz	1 MAGNETIC	G13	POSEIDON 136-12	230V	60Hz	1 MAGNETIC	G13
POSEIDON 118-14	110V	60Hz	1 MAGNETIC	G13	POSEIDON 136-14	110V	60Hz	1 MAGNETIC	G13
POSEIDON 118-35	220-240V	50-60Hz	1 ELECTRONIC	G13	POSEIDON 136-35	220-240V	50-60Hz	1 ELECTRONIC	G13
POSEIDON 118-45	220-240V	50-60z	1 ELECTRONIC+3H EMERG.	G13	POSEIDON 136-45	220-240V	50-60z	1 ELECTRONIC+3H EMERG.	G13
POSEIDON 114-35	220-240V	50-60z	1 ELECTRONIC	G5	POSEIDON 128-35	220-240V	50-60z	1 ELECTRONIC	G5
POSEIDON 124-35	220-240V	50-60z	1 ELECTRONIC	G5	POSEIDON 154-35	220-240V	50-60z	1 ELECTRONIC	G5
POSEIDON 114-45	220-240V	50-60z	1 ELECTRONIC+3H EMERG.	G5	POSEIDON 128-45	220-240V	50-60z	1 ELECTRONIC+3H EMERG.	G5
POSEIDON 124-45	220-240V	50-60z	1 ELECTRONIC+3H EMERG.	G5	POSEIDON 135-45	220-240V	50-60z	1 ELECTRONIC+3H EMERG.	G5
POSEIDON 218-11	230V	50Hz	1 MAGNETIC	G13	POSEIDON 236-21	230V	50Hz	2 MAGNETICS	G13
POSEIDON 218-12	230V	60Hz	1 MAGNETIC	G13	POSEIDON 236-22	230V	60Hz	2 MAGNETICS	G13
POSEIDON 218-21	230V	50Hz	2 MAGNETICS	G13	POSEIDON 236-24	110V	60Hz	2 MAGNETICS	G13
POSEIDON 218-22	230V	60Hz	2 MAGNETICS	G13	POSEIDON 236-35	220-240V	50-60z	1 ELECTRONIC	G13
POSEIDON 218-24	110V	60Hz	2 MAGNETICS	G13	POSEIDON 236-45	220-240V	50-60z	1 ELECTRONIC+3H EMERG.	G13
POSEIDON 218-35	220-240V	50-60z	1 ELECTRONIC	G13	POSEIDON 228-35	220-240V	50-60z	1 ELECTRONIC	G5
POSEIDON 218-45	220-240V	50-60z	1 ELECTRONIC+3H EMERG.	G13	POSEIDON 235-35	220-240V	50-60z	1 ELECTRONIC	G5
POSEIDON 214-35	220-240V	50-60z	1 ELECTRONIC	G5	POSEIDON 254-35	220-240V	50-60z	1 ELECTRONIC	G5
POSEIDON 224-35	220-240V	50-60z	1 ELECTRONIC	G5	POSEIDON 228-45	220-240V	50-60z	1 ELECTRONIC+3H EMERG.	G5
POSEIDON 214-45	220-240V	50-60z	1 ELECTRONIC+3H EMERG.	G5	POSEIDON 235-45	220-240V	50-60z	1 ELECTRONIC+3H EMERG.	G5
POSEIDON 224-45	220-240V	50-60z	1 ELECTRONIC+3H EMERG.	G5	POSEIDON 254-45	220-240V	50-60z	1 ELECTRONIC+3H EMERG.	G5

TECHNICAL DATA

Application Area

- Multipurpose luminaries for engine rooms, weather-exposed areas, cargo holds, deck, stores, workshops, industrial areas

Design

- According to the rules of international classification societies, VDE and IEC

Housing

- Zinc coated steel, powder coated white RAL 9016 (stainless steel version available)
- Diffuser made of clear polycarbonate, UV stabilized (opal diffuser available)

Lamps

- 18W T8 G13
- 36W T8 G13
- 14W T5 G5
- 24W T5 G5
- 28W T5 G5
- 35W T5 G5

Mounting

- Two holes Ø8 (additional mounting systems available, see the drawings)

Connection

- Pass through wiring with terminal 10mm²
 - Junction box
- Pass through with Wieland watertight connector

Electric

- 230 V 50 or 60 Hz, Flexible cable, heat resistant up 105 °C (additional electrical systems available, please see the order codes table)

Cable entry

- Two cable glands M20 and two stop plugs M20

SURFACE WATERTIGHT LED LUMINARY

TUBE LED



IP69



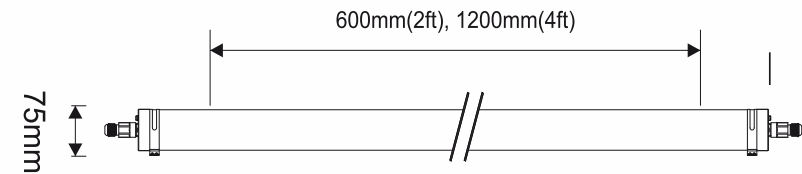
PRODUCT DESCRIPTION

Waterlight cylindrical led light suitable for harsh environments.

The battens use high lumen SMD chips and a high transmittance PMMA cover giving a uniform and soft light output. With waterproof IP69K connections at both ends they can be linked, and the special clip-on bracket design makes an easy installation

DIMENSIONS

Code	Voltage	Frequency	Power	CCT	CRI
TUBE LED 56-4	220-240V	50-60 Hz	20W	4000K	>80
TUBE LED 112-4	220-240V	50-60 Hz	33W	4000K	>80



TECHNICAL DATA

Application Area

- Multipurpose LED light for engine rooms, weather-exposed areas, cargo holds, deck, stores, workshops, industrial areas

Housing

- PPMA - Stainless steel end cups

Mounting

- Stainless steel mounting kit (x2)

Connection

- Pass through wiring IP69 Connectors (x2)

EXPLOSION PROOF SURFACE WATERTIGHT LED LUMINAIRE

KLEX 1011

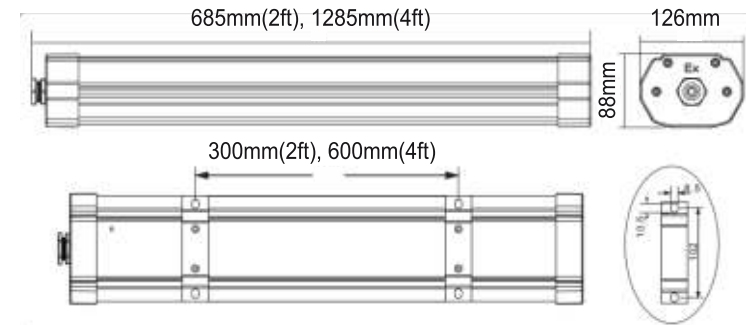


PRODUCT DESCRIPTION

Explosion proof LED luminaire, surface mounting for Zone 1 and 2

DIMENSIONS

Code	Voltage	Frequency	Power	CCT	CRI
KLEX 1011-2F	100-277V	50-60 Hz	36W	4000K	>80
KLEX 1011-4F	100-277V	50-60 Hz	36W	4000K	>80



TECHNICAL DATA

Application Area

- Explosion proof areas for Zone 1, 2, 21, 22

Connection

- Pass through wiring

Housing

- Anodized aluminum
- Polycarbonate diffuser

Mounting

- Stainless steel brackets

Lamps

- LED Module

Cable entry

- Cable glands M25 (x2)

Ex Mark

- -II 2 G Ex eb mb op is IIC T5...T6 Gb
II 2 D Ex op is tb IIIC T80°C Db

SURFACE FLUORESCENT LUMINARY

SOFIA

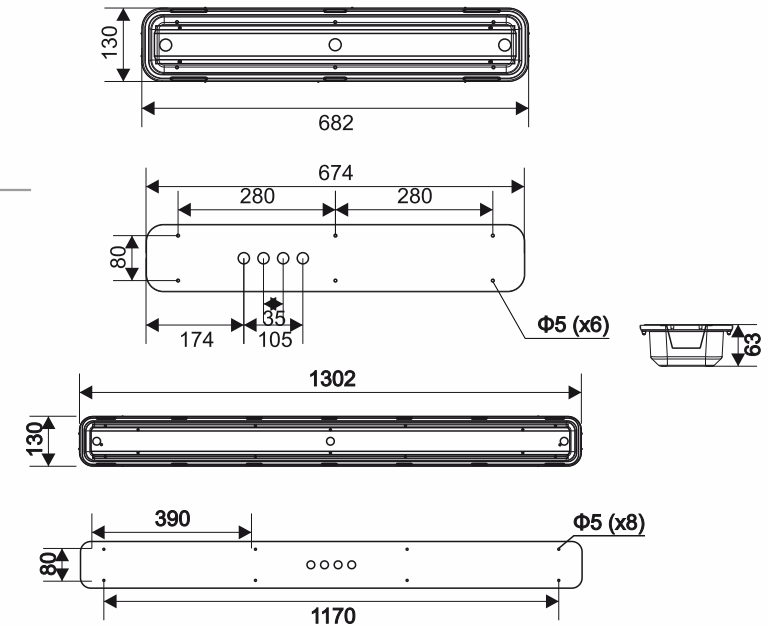


IP44

MARINE BRIGHT SOLUTIONS

DIMENSIONS

Code	Voltage	Frequency	Ballast	Lamp
SOFIA 214-35	220-240V	50-60Hz	1 ELECTRONIC	T5-14 or 24W
SOFIA 228-35	220-240V	50-60Hz	1 ELECTRONIC	T5-28 or 35W
SOFIA 254-35	220-240V	50-60Hz	1 ELECTRONIC	T5-54W



TECHNICAL DATA

Application Area

- Surface luminaire for kitchens, galleys, pantries and provision stores, where there are strict hygiene rules

Design

- According to rules of USPH (U.S. Public Health) and to rules of maritime classification societies, additional VDE and IEC/EN

Housing

- Stainless steel
- Diffuser made of clear polycarbonate, UV stabilized (opal diffuser available)

Mounting

- Four or six holes (Please see the drawings)

Electric

- 220-240 V 50-60 Hz, Flexible cable, heat resistant up to 105 °C (additional electrical systems available, please see the order codes table)

Cable entry

- Two cable grommets M20

Connection

- Pass through wiring with push terminal 2.5mm²
- Pass through with Wieland watertight connector

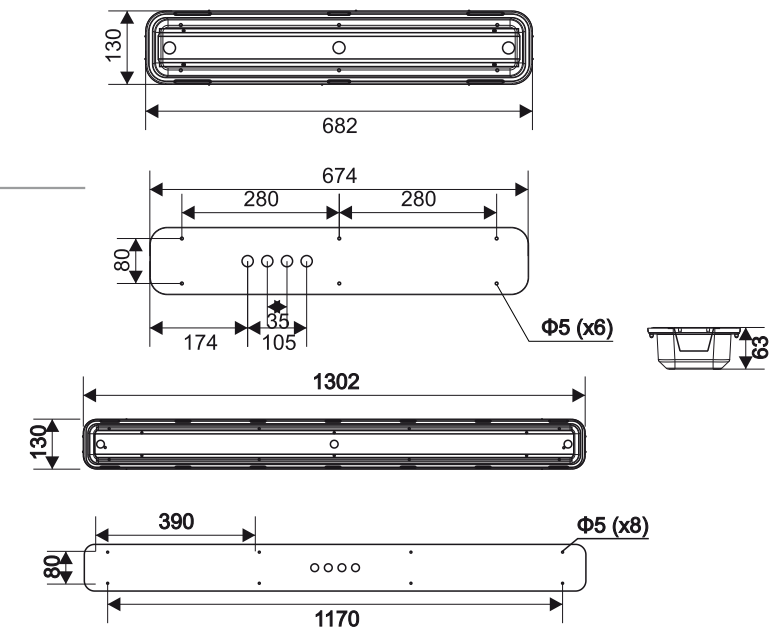
SURFACE FLUORESCENT LUMINARY

SOFIA



DIMENSIONS

Code	Voltage	Frequency	Wattage	CCT
SOFIA LED-56-3	220-240V	50-60Hz	18W	3000 K
SOFIA LED-112-3	220-240V	50-60Hz	32W	3000 K
SOFIA LED-56-4	220-240V	50-60Hz	18W	4000 K
SOFIA LED-112-4	220-240V	50-60Hz	32W	4000 K
SOFIA LED-56-5	220-240V	50-60Hz	18W	5000 K
SOFIA LED-112-5	220-240V	50-60Hz	32W	5000 K



TECHNICAL DATA

Application Area

- Surface luminaire for kitchens, galleys, pantries and provision stores, where there are strict hygiene rules

Design

- According to rules of USPH (U.S. Public Health) and to rules of maritime classification societies, additional VDE and IEC/EN

Housing

- Stainless steel
- Diffuser made of clear polycarbonate, UV stabilized (opal diffuser available)

Mounting

- Four or six holes (Please see the drawings)

Electric

- 220-240 V 50-60 Hz, Flexible cable, heat resistant up to 105 °C (additional electrical systems available, please see the order codes table)

Cable entry

- Two cable grommets M20

Connection

- Pass through wiring with push terminal 2.5mm²
- Pass through with Wieland watertight connector



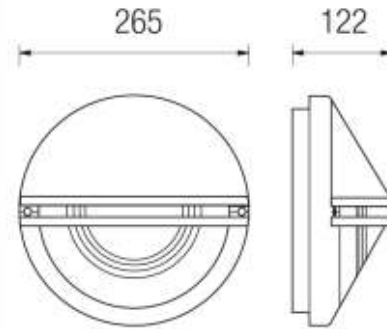
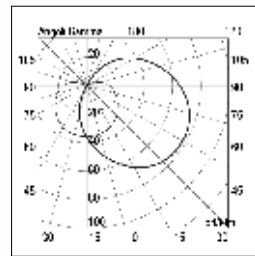
PRODUCT DESCRIPTION

Indoor and Outdoor luminaire constructed of :

NOTES
Luminaires are supplied with a glass diffuser

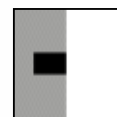
- Painted die-cast aluminium body
 - Aluminium reflector
 - EPDM gasket
- Stainless steel screws
- Painting using high resistance to UV and corrosion polyester powders

DIMENSIONS

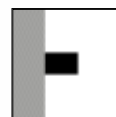


Order Code	Lampholder	Colours
ELMA/W	E27	White
ELMA/B	E27	Black
ELMA/S	E27	Silver

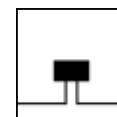
TECHNICAL DATA



Recessed wall version



Wall mounting



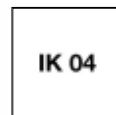
Double power supply entry cables



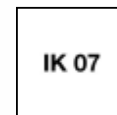
LED:
The luminaire is supplied with a Full Range 100/240V 50/60Hz built-in transformer.



CS 93:
ACCESSORY
Technopolymer holder to be recessed flush with the wall before the installation of the luminaire.
Ψ mm 260 h mm 60



Glass diffuser
Impact Energy (J):
0,5



Polycarbonate diffuser
Impact Energy (J):
2

PRODUCT DESCRIPTION

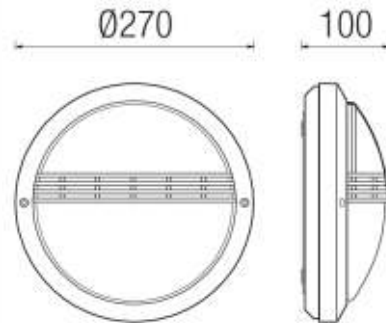
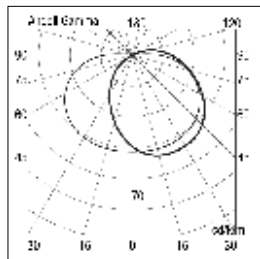


Indoor and Outdoor luminaire constructed of :

NOTES
Luminaires are supplied with a glass diffuser

- Painted die-cast aluminium body
- Aluminium reflector
- EPDM gasket
- Stainless steel screws
- Painting using high resistance to UV and corrosion polyester powders

DIMENSIONS



Order Code

Lampholder

Colours

PAMAL / W

E27

White

PAMAL / B

E27

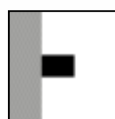
Black

PAMAL / S

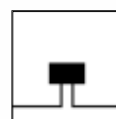
E27

Silver

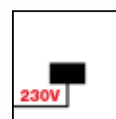
TECHNICAL DATA



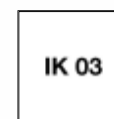
Wall mounting



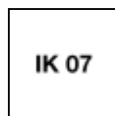
Double power supply entry cables



LED:
The luminaire is supplied with a Full Range 100/240V 50/60Hz built-in transformer.



Glass diffuser
Impact Energy (J):
0,35



Polycarbonate diffuser
Impact Energy (J):
2





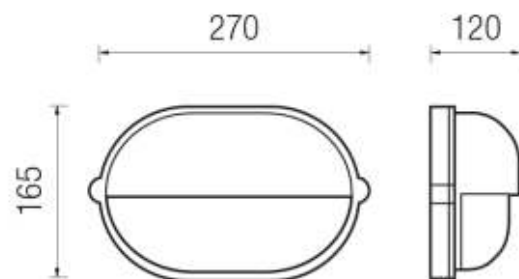
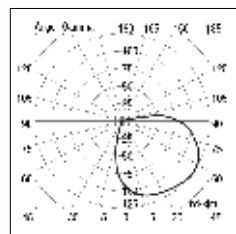
PRODUCT DESCRIPTION

Indoor and Outdoor luminaire constructed of:

NOTES
 Luminaires are supplied with a glass diffuser.
 Available also with polycarbonate diffuser on request.
 Available with glass or polycarbonate diffuser.

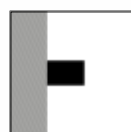
- Painted die-cast aluminium body
- Opal polycarbonate or satin glass diffuser
- Aluminium reflector
- EPDM gasket
- Stainless steel screws
- Painting using high resistance to UV and corrosion polyester powders

DIMENSIONS

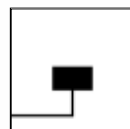


Order Code	Lampholder	Colours
OMICRON / W	E27	White
OMICRON / B	E27	Black
OMICRON / S	E27	Silver

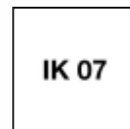
TECHNICAL DATA



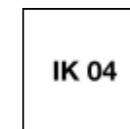
Wall mounting



Single power supply cables input



Polycarbonate diffuser
 Impact Energy (J):
 2



Glass diffuser
 Impact Energy (J):
 0,5







SEABRIGHT[®]
BY A. MALLIOS



INDOOR LIGHTS

MARINE BRIGHT
SOLUTIONS

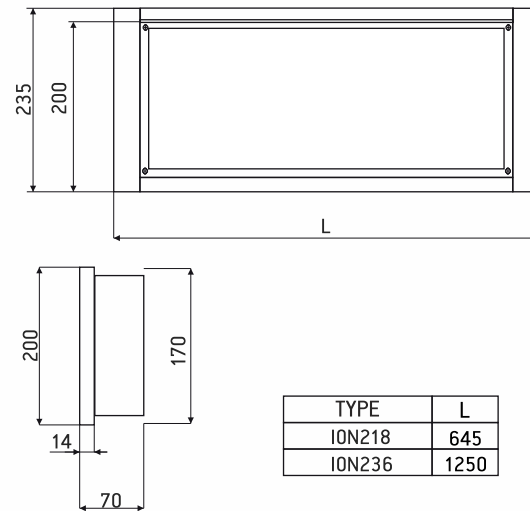
RECESSED FLUORESCENT LUMINARY

IONIAN



Order Codes

DIMENSIONS



CODE	VOLTAGE	FREQUENCY	BALLAST	LAMP
IONIAN 218-11	230V	50Hz	1 MAGNETIC WITH CAPACITOR	18W T8
IONIAN 218-12	230V	60Hz	1 MAGNETIC WITH CAPACITOR	18W T8
IONIAN 218-21	230V	50Hz	2 MAGNETIC WITH CAPACITOR	18W T8
IONIAN 218-22	230V	60Hz	2 MAGNETIC WITH CAPACITOR	18W T8
IONIAN218-24	110V	60Hz	2 MAGNETIC WITH CAPACITOR	18W T8
IONIAN218-35	230V	50-60Hz	1 ELECTRONIC	18W T8
IONIAN218-45	230V	50-60Hz	1 ELECTRONIC + 3h EMERGENCY KIT	18W T8
IONIAN236-21	230V	50Hz	2 MAGNETIC WITH CAPACITOR	36W T8
IONIAN236-22	230V	60Hz	2 MAGNETIC WITH CAPACITOR	36W T8
IONIAN236-24	110V	60Hz	2 MAGNETIC WITH CAPACITOR	36W T8
IONIAN236-35	230V	50-60Hz	1 ELECTRONIC	36W T8
IONIAN236-45	230V	50-60Hz	1 ELECTRONIC + 3h EMERGENCY KIT	36W T8

TECHNICAL DATA

Application Area

- Recessed luminary for passage ways, cabins, corridors, lounges, dinning rooms, accommodation areas

Design

- According to the rules of international classification societies, VDE and IEC

Housing

- Zinc coated steel, powder coated RAL9010
- Diffuser made of opal acrylic

Mounting

- Four Mounting Brackets

Lamps

- 18/36 Watt T8

Electric

- 230V 50 or 60Hz.

Flexible cable, heat resistant up to 105°C

Cable entry

- Two cable inlets 20mm

Protection

- IP20

Options

- IP44 model
- Transparent diffuser
- Emergency battery kit
- Emergency E14 lampholder

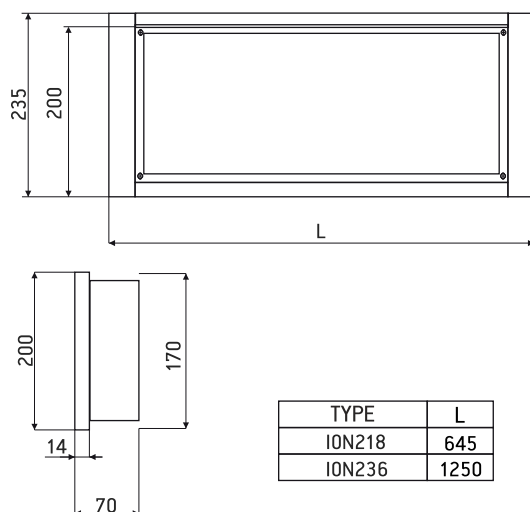
RECESSED FLUORESCENT LUMINARY

IONIAN



MARINE BRIGHT SOLUTIONS

DIMENSIONS



CODE	VOLTAGE	FREQUENCY	WATTAGE	CCT
IONIAN LED-56-3	220-240V	50-60Hz	18W	3000 K
IONIAN LED-112-3	220-240V	50-60Hz	32W	3000 K
IONIAN LED-56-4	220-240V	50-60Hz	18W	4000 K
IONIAN LED-112-4	220-240V	50-60Hz	32W	4000 K
IONIAN LED-56-5	220-240V	50-60Hz	18W	5000 K
IONIAN LED-112-5	220-240V	50-60Hz	32W	5000 K

TECHNICAL DATA

Application Area

- Recessed, cabins, corridors, lounges, dinning rooms, accomodation areas

Design

- According to the rules of international classification societies, VDE and IEC

Housing

- Zinc coated steel, powder coated RAL9010
- Diffuser made of opal acrylic

Mounting

- Four Mounting Brackets

Lamps

- LED Module

Electric

- 230V 50 or 60Hz, Flexible cable, heat resistant up to 105°C

Protection

- Ip20

Cable entry

- Two cable inlets 20mm

Options

- IP44 model
- Transparent diffuser
- Emergency battery kit
- Emergency E14 lampholder



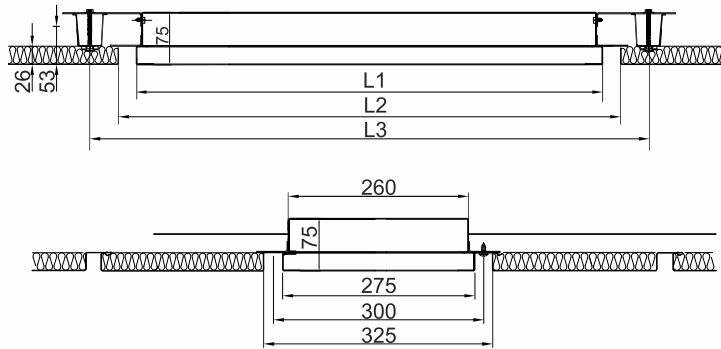
FLUSH MOUNTED CEILING LUMINARY

IONIAN DAMPA



M A R I N E B R I G H T S O L U T I O N S

DIMENSIONS



Order Codes

CODE	VOLTAGE	FREQUENCY	L1	L2	L3	LAMP
IONIAN D 218-11	230V	50Hz				
IONIAN D 218-12	230V	60Hz	655	655	655	18W T8
IONIAN D 218-14	110V	60Hz				
IONIAN D 218-35	220-240V	50-60Hz				
IONIAN D 236-11	230V	50Hz				
IONIAN D 236-12	230V	60Hz	1250	1250	1250	36W T8
IONIAN D 236-14	110V	60Hz				
IONIAN D 236-35	220-240V	50-60Hz				

TECHNICAL DATA

Application Area

- Recessed luminaire for cabins, passenger facilities, corridors, wheelhouses where DAMPA ceilings DCC300 are used.

Design

- According to the rules of international classification societies, VDE and IEC

Housing

- Zinc coated steel, powder coated RAL9010
- Diffuser made of acrylic

Mounting

- Brackets for modular carrier No.16

Lamps

- 18/36 Watt T8

Electric

- 230V 50 or 60Hz, Flexible cable, heat resistant up to 105°C

Cable entry

- Four cable inlets 20mm

Protection

- IP22

Options

- IP44 model
- Opal diffuser
- Emergency battery kit
- Emergency E14 lampholder

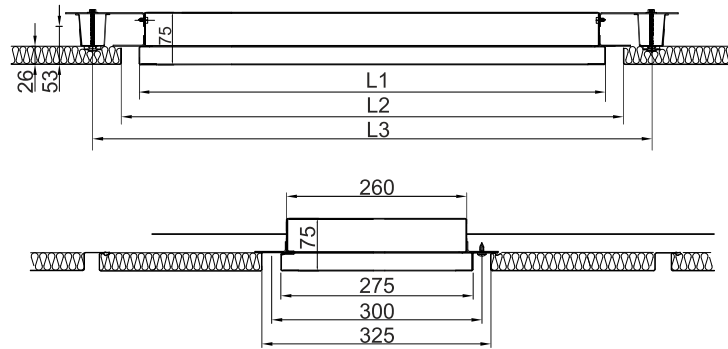
FLUSH MOUNTED CEILING LUMINARY

IONIAN DAMPA



MARINE BRIGHT SOLUTIONS

DIMENSIONS



C O D E	VOLTAGE	FREQUENCY	WATTAGE	CCT	L1	L2	L3
IONIAN D LED-56-3	220-240V	50-60Hz	18W	3000 K	645	705	800
IONIAN D LED-112-3	220-240V	50-60Hz	32W	3000 K	1250	1300	1400
IONIAN D LED-56-4	220-240V	50-60Hz	18W	4000 K	645	705	800
IONIAN D LED-112-4	220-240V	50-60Hz	32W	4000 K	1250	1300	1400

TECHNICAL DATA

Application Area

- Recessed luminaire for cabins, passenger facilities, corridors, wheelhouses where DAMPA ceilings DCC300 are used.

Design

- According to the rules of international classification societies, VDE and IEC

Housing

- Zinc coated steel, powder coated RAL9010
- Diffuser made of acrylic

Mounting

- Brackets for modular carrier No.16

Lamps

- LED Module

Electric

- 230V 50-60Hz, Flexible cable, heat resistant up to 105°C

Cable entry

- Four cable inlets 20mm

Protection

- IP22

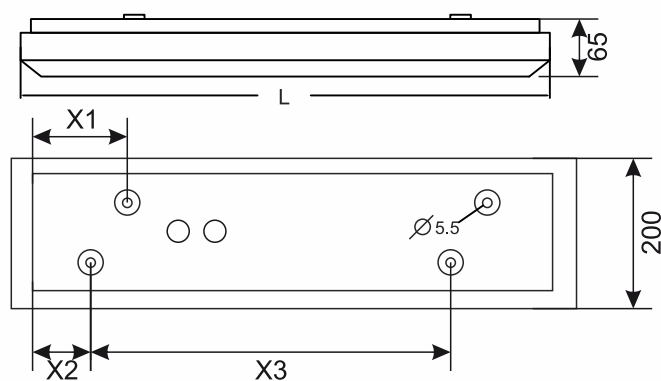
Options

- IP44 model
- Opal diffuser
- Emergency battery kit
- Emergency E14 lampholder



IP22

DIMENSIONS



Order Codes

CODE	VOLTAGE	FREQUENCY	L	X1	X2	X3	LAMP
PRISMA 218-11	230V	50Hz	670	157	107	382	18W T8
PRISMA 218-12	230V	60Hz	670	157	107	382	18W T8
PRISMA 218-14	110V	60Hz	670	157	107	382	18W T8
PRISMA 218-35	220-240V	50-60Hz	670	157	107	382	18W T8
PRISMA 236-11	230V	50Hz	1270	225	170	860	36W T8
PRISMA 236-12	230V	60Hz	1270	225	170	860	36W T8
PRISMA 236-14	110V	60Hz	1270	225	170	860	36W T8
PRISMA 236-35	220-240V	50-60Hz	1270	225	170	860	36W T8

TECHNICAL DATA

Application Area

- Surface luminary for cabins, passenger facilities, corridors, wheelhouses.

Design

- According to the rules of international classification societies, VDE and IEC

Housing

- Zinc coated steel, powder coated RAL9010
- Diffuser made of opal acrylic

Mounting

- Four mounting holes 5.5 mm

Lamps

- 18/36 Watt T8

Electric

- 230V 50 or 60Hz, Flexible cable, heat resistant up to 105°C

Cable entry

- Two cable inlets 20mm

Protection

- IP22

Options

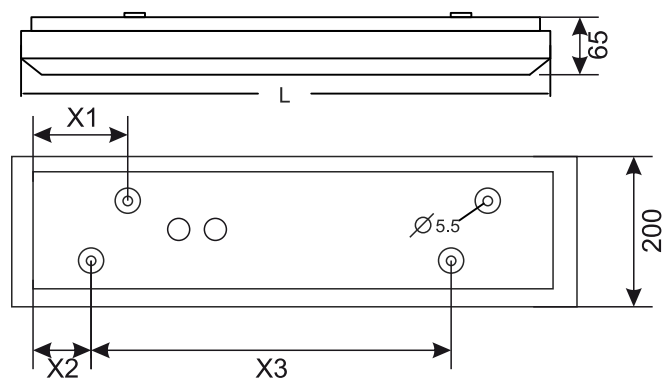
- Transparent diffuser
- Emergency E14 lampholder

SURFACE FLUORESCENT CORRIDOR LUMINARY

PRISMA LED



DIMENSIONS



CODE	VOLTAGE	FREQUENCY	WATTAGE	CCT	L	X1	X2	X3
PRISMA LED-56-3	220-240V	50-60Hz	18W	3000 K	670	157	107	382
PRISMA LED-112-3	220-240V	50-60Hz	32W	3000 K	1270	225	170	860
PRISMA LED-56-4	220-240V	50-60Hz	18W	4000 K	670	157	107	382
PRISMA LED-112-4	220-240V	50-60Hz	32W	4000 K	1270	225	170	860

TECHNICAL DATA

Application Area

- Surface luminary for cabins, passenger facilities, corridors, wheelhouses.

Design

- According to the rules of international classification societies, VDE and IEC

Housing

- Zinc coated steel, powder coated RAL9010
- Diffuser made of opal acrylic

Mounting

- Four mounting holes 5.5 mm

Lamps

- LED module

Electric

- 230V 50 or 60Hz,
- Flexible cable, heat resistant up to 105°C

Cable entry

- Two cable inlets 20mm

Protection

- IP22

Options

- Transparent diffuser
- Emergency E14 lampholder

SURFACE - LOW PROFILE LED LIGHT

CY 120



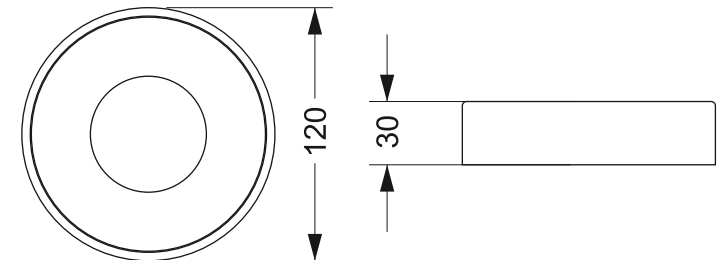
PRODUCT DESCRIPTION

High performance ceiling LED light. The geometrical figure of the circle guarantees extremely reduced dimensions and an innovative and particular "thinness".

Direct connection to main voltage 230V without driver.

DIMENSIONS

Code	Voltage	Frequency	Power	CCT	CRI
CY 115-3	220-240V	50-60 Hz	6W	3000K	>80
CY 115-4	220-240V	50-60 Hz	6W	4000K	>80
CY 115-3-10	220-240V	50-60 Hz	10W	3000K	>80
CY 115-3-10	220-240V	50-60 Hz	10W	4000K	>80

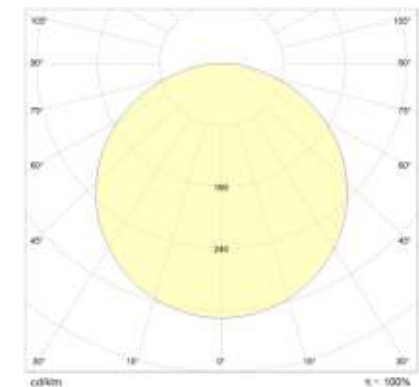


TECHNICAL DATA

Housing
• Aluminum

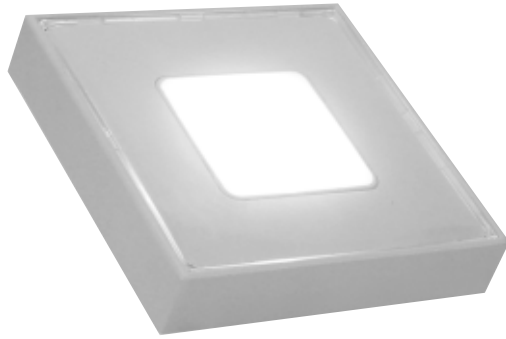
IP Rate
• IP44

Optional
• Dimmable
and RAL selection



SURFACE - LOW PROFILE LED LIGHT

SQ 115



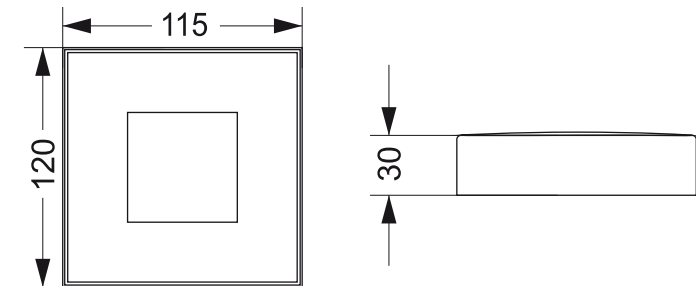
PRODUCT DESCRIPTION

High performance ceiling LED light. The geometrical figure of the square guarantees extremely reduced dimensions and an innovative and particular "thinness".

Direct connection to main voltage 230V without driver.

DIMENSIONS

Code	Voltage	Frequency	Power	CCT	CRI
SQ 115-3	220-240V	50-60 Hz	6W	3000K	>80
SQ 115-4	220-240V	50-60 Hz	6W	4000K	>80
SQ 115-3-10	220-240V	50-60 Hz	10W	3000K	>80
SQ 115-3-10	220-240V	50-60 Hz	10W	4000K	>80

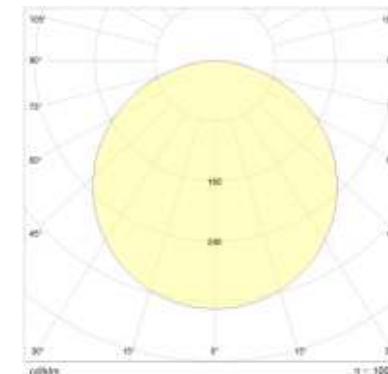


TECHNICAL DATA

Housing
• Aluminum

IP Rate
• IP44

Optional
• Dimmable
and RAL selection



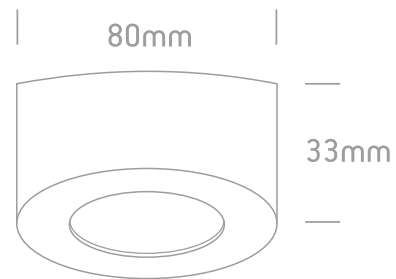




PRODUCT DESCRIPTION

- 7W COB LED Cylinder, available in matt white painting
- RAL Colors Available Upon Request

DIMENSIONS



Order Code	Lampholder	Finish
IRIS/W/W	LED	White



TECHNICAL DATA

Housing: Aluminium

IP rate: IP20 upon request IP44

Watts: 7W

Voltage: 220-240V / 50-60Hz

Beam angle: 38°

CT: 3000K / CRI 80

SURFACE LED CORRIDOR LUMINARY

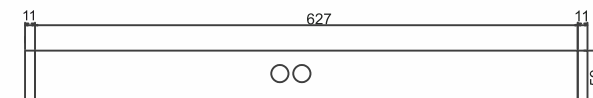
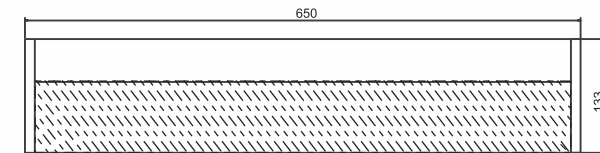
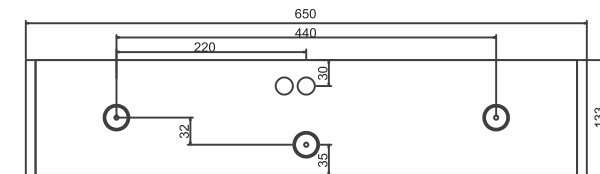
LUNA



MARINE BRIGHT SOLUTIONS

DIMENSIONS

CODE	VOLTAGE	FREQUENCY	WATTAGE	CCT
LUNA LED-56-3	220-240V	50-60Hz	20W	3000 K
LUNA LED-112-3	220-240V	50-60Hz	35W	3000 K
LUNA LED-56-4	220-240V	50-60Hz	20W	4000 K
LUNA LED-112-4	220-240V	50-60Hz	35W	4000 K



TECHNICAL DATA

Application Area

- Corner luminaire for use in passage ways, cabins, corridors lounges dinning rooms, accommodation areas

Design

- According to the rules of international classification societies, VDE and IEC

Housing

- Zinc coated steel, powder coated RAL9010
- Diffuser made of opal acrylic

Mounting

- Three mounting holes 5.5 mm

Lamps

- LED Module

Electric

- 230V 50-60Hz, Flexible cable, heat resistant up to 105°C

Cable entry

- Four cable inlets 20mm

Protection

- IP22

Options

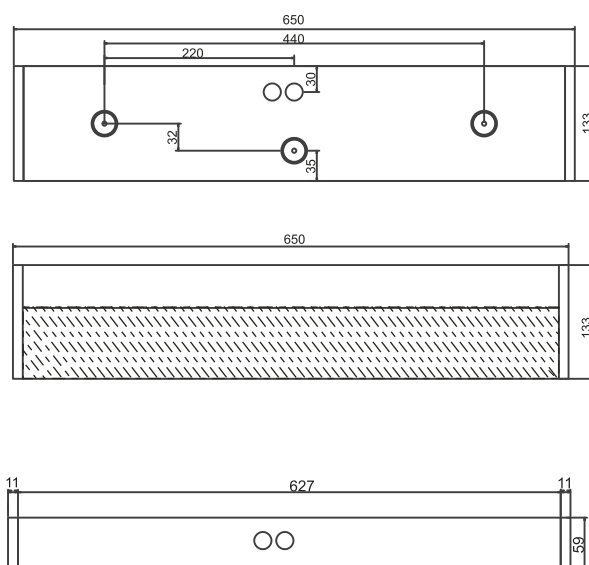
- Emergency E14 lampholder

SURFACE FLUORESCENT CORRIDOR LUMINARY

LUNA



M A R I N E B R I G H T S O L U T I O N S



DIMENSIONS

Order Codes

CODE	VOLTAGE	FREQUENCY	BALLAST	LAMP
LUNA 118-11	230V	50Hz	1 MAGNETIC WITH CAPACITOR	18W T8
LUNA 118-12	230V	60Hz	1 MAGNETIC WITH CAPACITOR	18W T8
LUNA 118-14	110V	60Hz	1 MAGNETIC WITH CAPACITOR	18W T8
LUNA 118-35	220-240V	50-60Hz	1 ELECTRONIC	18W T8
LUNA 136-11	230V	50Hz	1 MAGNETIC WITH CAPACITOR	36W T8
LUNA 136-12	230V	60Hz	1 MAGNETIC WITH CAPACITOR	36W T8
LUNA 136-14	110V	60Hz	1 MAGNETIC WITH CAPACITOR	36W T8
LUNA 136-35	220-240V	50-60Hz	1 ELECTRONIC	36W T8
LUNA 114-35	220-240V	50-60Hz	1 ELECTRONIC	14W T5
LUNA 124-35	220-240V	50-60Hz	1 ELECTRONIC	24W T5
LUNA 128-35	220-240V	50-60Hz	1 ELECTRONIC	28W T5
LUNA 135-35	220-240V	50-60Hz	1 ELECTRONIC	35W T5

TECHNICAL DATA

Application Area

- Corner luminaire for use in passage ways, cabins, corridors lounges dinning rooms, accommodation areas

Design

- According to the rules of international classification societies, VDE and IEC

Housing

- Zinc coated steel, powder coated RAL9010
- Diffuser made of opal acrylic

Mounting

- Three mounting holes 5.5 mm

Lamps

- 18/36 Watt T8

Electric

- 230V 50 or 60Hz, Flexible cable, heat resistant up to 105°C

Cable entry

- Four cable inlets 20mm

Protection

- IP22

Options

- Emergency E14 lampholder

MARINE BRIGHT SOLUTIONS

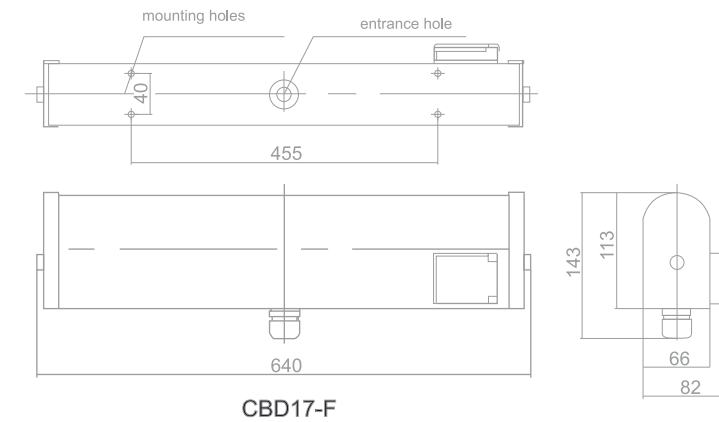
IP44



DIMENSIONS

Order Code

Code	Wattage	Voltage	Frequency
WC 118-LL	9 W	100-240V	50-60Hz



TECHNICAL DATA

Application Area

- Surface luminary for use in bathrooms

Design

- According to the rules of international classification societies, VDE and IEC

Housing

- Aluminum, powder coated RAL9010
- Diffuser made of opal acrylic

Mounting

Four mounting holes 6 mm

Lamps

- Connection for LED tubes

Electric

- Flexible cable, heat resistant up to 105°C

Cable entry

- One cable inlet 25mm

Protection

- IP44

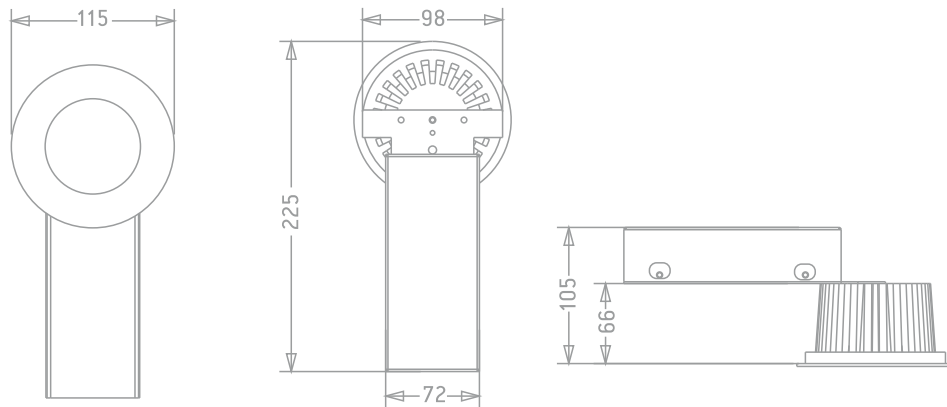


PRODUCT DESCRIPTION

- Led Downlight with reflector and changeable cover ring, for accommodation and public areas.
- According to maritime classification rules and relevant standards.

Order Code

DIMENSIONS



Code	CT	Power	Cover Color	Wattage	Beam
AMADA LED	-3 / 4 / 27	-225	-CH / W / G	-S	-S / M / W / WW
-X-X-X-X	-3 / 4 / 27	-325	-CH / W / G	-B	-S / M / W / WW

DESCRIPTION

Color Temperature : 3000K / 4000K / 2700K
mA : 225 or 325

Cover Color : Chrome or White or Gold

Wattage : 8,5W or 12W

Beam : 12° or 25° or 40° or 60°

TECHNICAL DATA

Housing : Aluminium
IP rate : IP44

Optional : 3H Back-up Battery
and Dimmable

Watts: 8,5 or 12,5W

Voltage: 220-240V / 50-60Hz
Upon Request 110V

DOWNLIGHTS

NORA

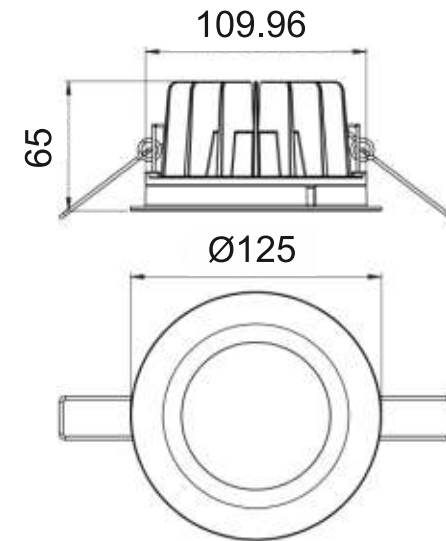


PRODUCT DESCRIPTION

High performance LED downlight, ideal for outdoor use. Extremely shallow recessed depth with side springs for easy installation.

DIMENSIONS

Code	Voltage	Frequency	Power	CCT	CRI
NORA LED - 3	220-240V	50-60 Hz	10W	3000K	>80
NORA LED - 4	220-240V	50-60 Hz	10W	4000K	>80



TECHNICAL DATA

Housing
• Aluminum

Diffuser
• Clear safety glass

IP Rate
• IP55

Optional
• Dimmable
and RAL selection

Available lens
• 21°, 36°, 49°

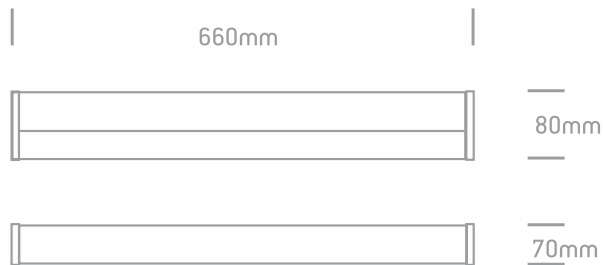




PRODUCT DESCRIPTION

- IP44 bathroom light, ideal for mirror illumination, complete with T8 LED tube

DIMENSIONS



Order Code

Code	Lampholder	Finish
CLEOPATRA B	G13	CHROME



TECHNICAL DATA

Input Voltage: 100-240V AC
Lamp Type: T8 LED 60cm
Number of Lamps: 1

IP rate: IP44
Construction: Die cast
Diffuser: Frosted acrylic

WIRING DIAGRAM





PRODUCT DESCRIPTION

- IP44 bathroom light, ideal for mirror illumination, complete with T8 LED tube

DIMENSIONS



Order Code	Lampholder	Finish
CLEOPATRA	G13	Chrome



TECHNICAL DATA

Input Voltage: 220-240V AC

Lamp Type: T8 LED 60cm

Number of Lamps: 1

IP rate: Ip44

Construction: Die cast

Diffuser: Frosted acrylic

WIRING DIAGRAM



READING WALL LIGHT

TINOS

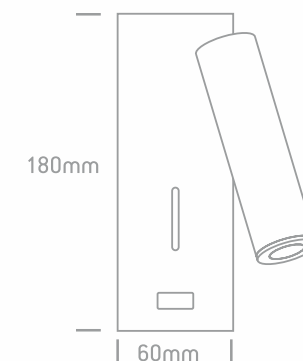


PRODUCT DESCRIPTION

- 1W bedside wall light with switch, in Black, Nickel and White Finish

DIMENSIONS

Order Code	Lampholder	Finish
TINOS / W / W	LED	WHITE
TINOS / B / W	LED	BLACK
TINOS / N / W	LED	CHROME



TECHNICAL DATA

Housing: Aluminium

IP rate: IP20

Watts: 3W

Voltage: 100-240V / 50-60Hz

Beam angle: 36°

CT: 3000K / CRI 80

50

SEABRIGHT
BY A. MALLIOS

READING WALL LIGHT

IKAROS



PRODUCT DESCRIPTION

- 3W LED Reading wall spot, ideal for bedside installation
- Complies with standard EN60598-1 and any other specific standards

DIMENSIONS

Order Code	Lampholder	Finish
IKAROS / W / W	LED	WHITE
IKAROS / B / W	LED	BLACK



TECHNICAL DATA

Housing: Aluminium

IP rate: IP20

Watts: 3W

Voltage: 100-240V / 50-60Hz

Beam angle: 36°

CT: 3000K / CRI 80

READING WALL LIGHT

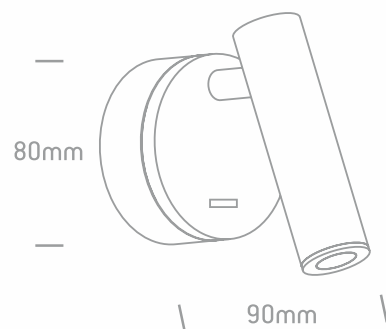
SYROS



PRODUCT DESCRIPTION

- 1W bedside wall light with switch, in Natural Aluminium and White Finish

DIMENSIONS



Order Code	Lampholder	Finish
SYROS / AL / W	LED	Natural Aluminium
SYROS / W / W	LED	White



TECHNICAL DATA

Housing: Aluminium

IP rate: IP20

Watts: 3W

Voltage: 100-240V / 50-60Hz

Beam angle: 36°

CT: 3000K / CRI 80

SURFACE FLUORESCENT LUMINARY

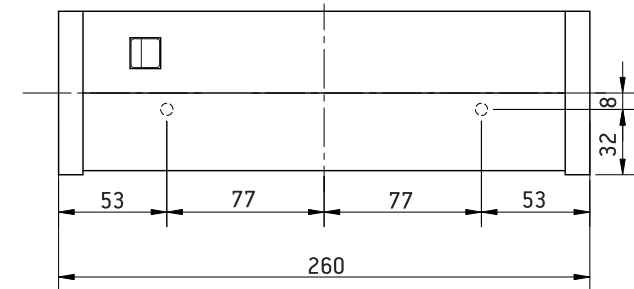
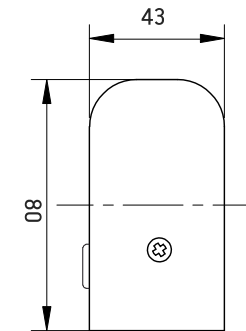
CLIO



DIMENSIONS

Order Code

Code	Voltage	Frequency	Ballast	Lamp
CLIO 9-11	230V	50Hz	1 MAGNETIC	G23
CLIO 9-12	230V	60Hz	1 MAGNETIC	G23
CLIO 9-13	110V	60Hz	1 MAGNETIC	G23
CLIO LED	220-240V	50-60Hz	1 DRIVER	LED



TECHNICAL DATA

Application Area

- Surface luminary for use in cabins

Design

- According to the rules of international classification societies, VDE and IEC

Housing

- Aluminium, power coated
- Diffuser made of opal polycarbonate

Mounting

- Two mounting holes, \varnothing 6mm

Electric

- 230 V 50 or 60 Hz, Flexible cable, heat resistant up 105 °C

Cable entry

- One cable inlet 20 x 13 mm

Lamps

- 7-9 Watt G23
- 5 Watt LED

DECORATIVE WALL LIGHT

DECO

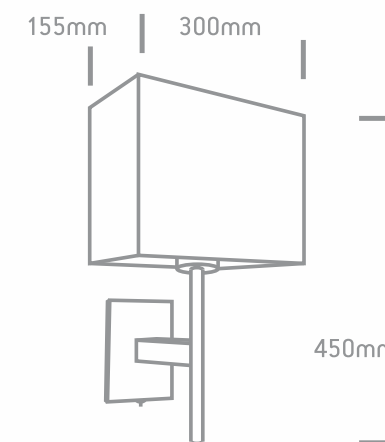


PRODUCT DESCRIPTION

Metal + white fabric shade

DIMENSIONS

Order Code	Colour	Watts	Input	Notes
DECO/A	CHROME	MAX 40W / E27	100-240V	WITH ON/OFF SWITCH



TECHNICAL DATA



DECORATIVE WALL LIGHT

DECO



PRODUCT DESCRIPTION

Metal + white fabric shade



DIMENSIONS

Order Code	Colour	Watts	Input	Notes
DECO/B	CHROME	MAX 40W / E27	100-240V	WITH ON/OFF SWITCH

TECHNICAL DATA





SEABRIGHT[®]
BY A. MALLIOS



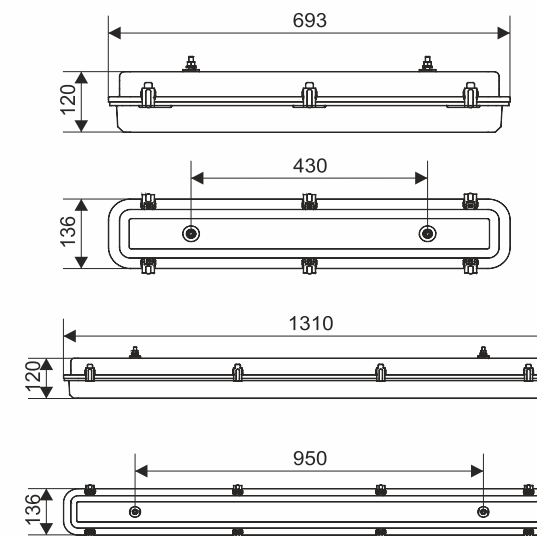
EMERGENCY LIGHTS

MARINE **BRIGHT**
SOLUTIONS



IP65

DIMENSIONS



OPERATION VOLTAGE	220-240V AC/ 50-60Hz
MAXIMUM POWER CONSUMPTION	42,5W(2x18W) 77W(2x36W)
BATTERY (Ni-Cd)	3,6V/ 3Ah(2x18W) or 3.6V/4Ah(2x36W)
BATTERY PROTECTION	From overcharge and full discharge
INDICATIONS - CONTROLS	Charge, Indication LED, Test button
CHARGING TIME	24H
MINIMUM AUTONOMOUS DURATION	180 min
ILLUMINATION SOURCE	1 Lamp T8
ILLUMINATION (230V/EMERGENCY)	150 lm(2x18W) or 245 lm(2x36W)
DEGREES OF COVER PROTECTION	IP67

TECHNICAL DATA

Application Area

- Self testing emergency luminaries for use to the outdoor spaces of the vessel.

Housing

- Zinc coated steel, powder coated white RAL 9016 (stainless steel version available)
- Diffuser made of clear polycarbonate, UV stabilized (opal diffuser available)

Design

- According to the rules of international classification societies, VDE and IEC

Mounting

- Two holes 8 (additional mounting systems available, see the drawings)

Lamps

- 18/36 Watt T8

Electric

- 230V 50-60Hz, Flexible cable, heat resistant up to 105°C

Cable entry

- Two cable glands M20 and two stop plugs M20

Connection

- Pass through wiring with terminal 10mm
- Junction box
- Pass through with Wieland watertight connector

OUTDOOR EMERGENCY LUMINARIES

GR-939/15L/MAR

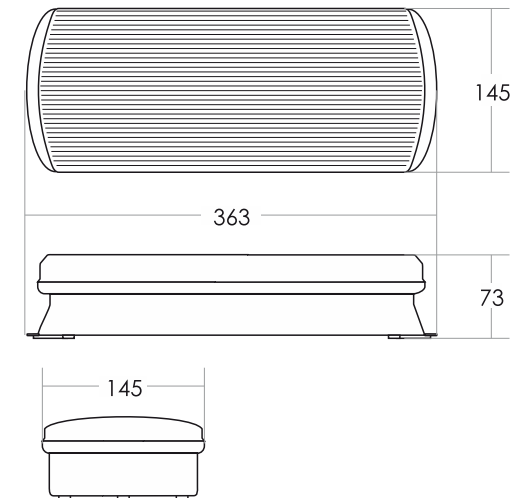


IP65



DIMENSIONS

OPERATION VOLTAGE	220-240V AC/ 50-60Hz
MAXIMUM POWER CONSUMPTION	3,5W/7,5VA
BATTERY (Ni-Cd)	3,6V/ 1,5Ah
BATTERY PROTECTION	From overcharge and full discharge
INDICATIONS - CONTROLS	Charge, LED fault, Indication LED, Test button
CHARGING TIME	24H
MINIMUM AUTONOMOUS DURATION	180 min
ILLUMINATION SOURCE	15 white LEDs
ILLUMINATION (230V/EMERGENCY)	150/105 lm
DEGREES OF COVER PROTECTION	IP67



TECHNICAL DATA

Application Area

- Self testing emergency luminaries for use to the outdoor spaces of the vessel.

Housing

- Polycarbonate
- Diffuser made of clear polycarbonate

Design

- According to the rules of international classification societies, VDE and IEC

Mounting

- Wall or ceiling installation

Lamps

- LED module

Electric

- 230V 50-60Hz. Flexible cable, heat resistant up to 105°C

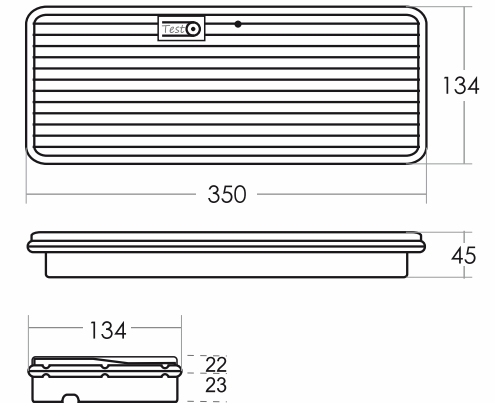
INDOOR EMERGENCY LUMINARIES

GR-316/15L/MAR



DIMENSIONS

OPERATION VOLTAGE	220-240V AC/ 50-60Hz
MAXIMUM POWER CONSUMPTION	3,5W/7A
BATTERY (Ni-Cd)	3,6V/ 1,5Ah
BATTERY PROTECTION	From overcharge and full discharge
INDICATIONS - CONTROLS	Charge, LED fault, Indication LED, Test button
CHARGING TIME	24H
MINIMUM AUTONOMOUS DURATION	180 min
ILLUMINATION SOURCE	15 white LEDs
ILLUMINATION (230V/EMERGENCY)	150 /105lm
DEGREES OF COVER PROTECTION	IP40



TECHNICAL DATA

Application Area

- Self testing emergency luminaries with LEDs for use to the indoor spaces of the vessel.

Housing

- Polycarbonate
- Diffuser made of clear polycarbonate

Design

- According to the rules of international classification societies, VDE and IEC

Mounting

- Wall or ceiling installation

Lamps

- LED module

Electric

- 230V 50-60Hz,
Flexible cable, heat resistant up to 105°C

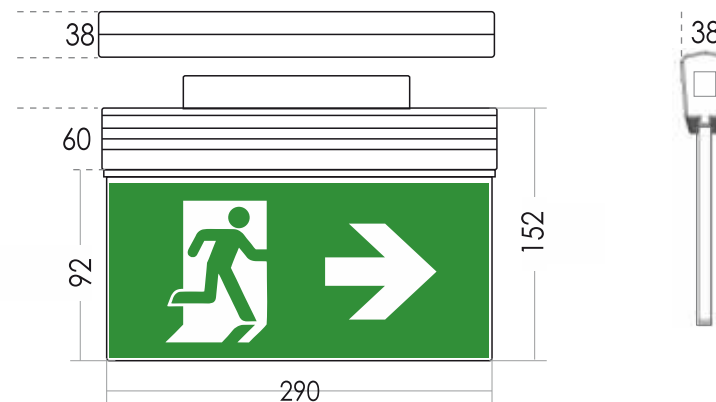
Protection

- IP40



DIMENSIONS

OPERATION VOLTAGE	220-240V AC/ 50-60Hz
MAXIMUM POWER CONSUMPTION	3,8W/6,7A
BATTERY (Ni-Cd)	3,6V/ 1,5Ah
BATTERY PROTECTION	From overcharge and full discharge
INDICATIONS - CONTROLS	Charge, LED fault, Indication LED, Test button
CHARGING TIME	24H
MINIMUM AUTONOMOUS DURATION	180 min
ILLUMINATION (230V/EMERGENCY)	125 /125lm
DEGREES OF COVER PROTECTION	IP40



TECHNICAL DATA

Application Area

- Self testing emergency sign luminary with LEDs for use to the indoor spaces of the vessel.

Housing

- Aluminum
- Diffuser made of clear plexiglass

Design

- According to the rules of international classification societies, VDE and IEC

Mounting

- Wall or ceiling installation
- Flush mounted base available

Lamps

- LED module

Electric

- 230V 50-60Hz,
Flexible cable, heat resistant up to 105°C

Protection

- IP40

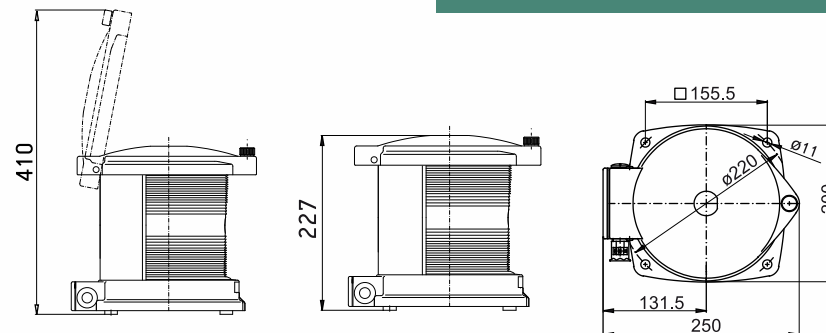


SEABRIGHT®
BY A. MALLIOS

NAVIGATION LIGHTS



MARINE **BRIGHT**
SOLUTIONS



DIMENSIONS

Application Area

- Vessels more than 50 meters

Housing

- Black polyamide, glass fibre reinforced, shock resistant, non corrosive, non magnetic, seawater resistant with stainless steel screen.

Cable Entry

- Cable gland M20

Connection

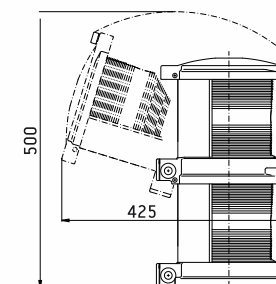
- Junction box
- 1.5 m preinstalled connection cable H07RNF 3x1.5mm²(Optional)

Approvals

- BSH
- DNV-GL
- UL 1104
- MED

Electric

- 24VDC, 115VAC, 230VAC



TECHNICAL DATA

DOUBLE LANTERS

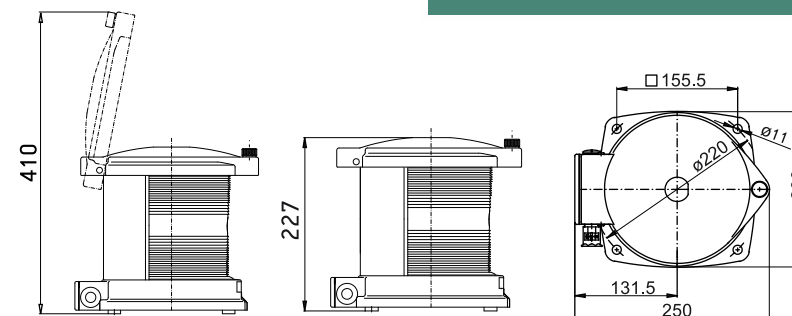
TYPE	CODE	COLOR	SECTOR	SIGNAL RANGE
Starboard	PB76130XX	Green	112,5°	3 nm
Port side	PB76230XX	Red	112,5°	3 nm
Masthead	PB76330XX	White	225°	6 nm
Stern light	PB76430XX	White	135°	3 nm
Signal light	PB76632XX	Red	360°	3 nm
Signal light	PB76633XX	Green	360°	3 nm

SINGLE LANTERS

TYPE	CODE	COLOR	SECTOR	SIGNAL RANGE	XX	VOLTAGE	POWER
Starboard	PB76110XX	Green	112,5°	3 nm	10	24 VDC	40W
Port side	PB76210XX	Red	112,5°	3 nm	20	115 VAC	60W
Masthead	PB76310XX	White	225°	6 nm	30	230 VAC	65W
Stern light	PB76410XX	White	135°	3 nm	40	24 VDC + 230 VAC	40+65W
Manoeuvring	PB76617XX	White	360°	5 nm	Only for double lanterns		
Signal light	PB76612XX	Red	360°	3 nm			
Signal light	PB76610XX	White	360°	3 nm			

LED NAVIGATION LIGHTS

780 SERIES



DIMENSIONS

Application Area

Vessels more than 50 meters

Lifetime

50.000 hours for single lanterns
100.000 hours for double lanterns

Housing

Black polyamide, glass fibre reinforced,
shock resistant, non corrosive, non magnetic,
seawater resistant with stainless steel screen.

Lamps

LED module

Approvals

BSH
DNV-GL
UL 1104
MED

Electric

24VDC, 115VAC, 230VAC

Cable Entry

Cable gland M20

Connection

Junction box
1.5 m preinstalled connection cable
H07RNF 3x1.5mm²(Optional)

XX	VOLTAGE
10	24 VDC
20	115 VAC
30	230 VAC
40	24 VDC + 230 VAC

Only for double lanterns

TECHNICAL DATA

DOUBLE LANTERS

TYPE	CODE	COLOR	SECTOR	SIGNAL RANGE	POWER
Starboard	PB78130XX	Green	112,5°	3 nm	2x5W
Port side	PB78230XX	Red	112,5°	3 nm	2x5W
Masthead	PB78330XX	White	225°	6 nm	2x17W
Stern light	PB78430XX	White	135°	3 nm	2x3W
Signal light	PB78632XX	Red	360°	3 nm	2x6W
Signal light	PB78633XX	Green	360°	3 nm	2x10W

SINGLE LANTERS

TYPE	CODE	COLOR	SECTOR	SIGNAL RANGE	POWER
Starboard	PB78110XX	Green	112,5°	3 nm	5W
Port side	PB78210XX	Red	112,5°	3 nm	3W
Masthead	PB78310XX	White	225°	6 nm	17W
Stern light	PB78410XX	White	135°	3 nm	3W
Manoeuvring	PB78617XX	White	360°	5 nm	18W
Signal light	PB78612XX	Red	360°	3 nm	6W
Signal light	PB78610XX	White	360°	3 nm	8W

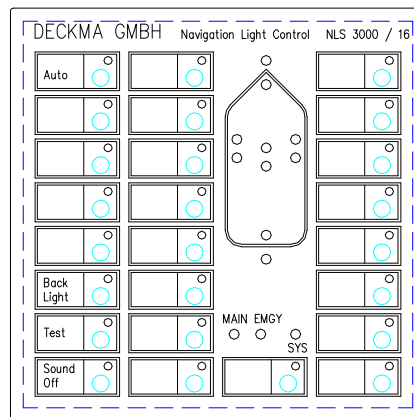
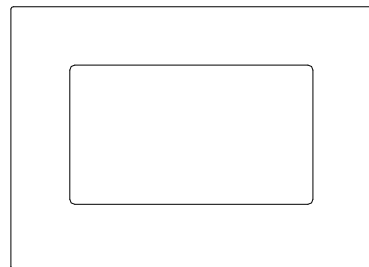
NAVIGATION LIGHTS CONTROL PANEL

NLS 3000



- Navigation control panel for conventional and led lanterns.
- Console mounting, both in touch screen and button screen version.
 - 8-16-24-32-40-48 monitored outputs
 - GL Marine approval
 - IP44 Ingress protection

DIMENSIONS



Front plate	Housing	Panel cut out
144 x 105,5	135 x 96,5	138 x 99,5

	Front plate	Housing	Panel cut out
NLS 3000 / 8	144x111,5	135x102,5	138x105,5
NLS 3000 / 16	144x144	135x135	138x138
NLS 3000 / 24	144x176,5	135x167,5	138x170,5
NLS 3000 / 32	144x209	135x200	138x203
NLS 3000 / 40	144x241,5	135x232,5	138x235,5
NLS 3000 / 48	144x274	135x265	138x268

All measurements are in mm

Codes

NLS 3000 MM01-E Main module	<ul style="list-style-type: none"> • 230V / 115V AC or 24V DC • Switching main and reserve supply • Supply and distribution of the modules for bus system • 2 relay outputs for signaling / 2 inputs for signaling op coupler • Optional operator panel with LCD display • Interface for data module (FMS 3000 DT01-E)
NLS 3000 LM08-E Lantern module 8-line	<ul style="list-style-type: none"> • 8 monitored, switched and parties secured lantern circuits • Automatic change over from main to emergency supply
NLS 3000 LM02-E Lantern module 2-line	<ul style="list-style-type: none"> • 2 monitored, switched and parties secured lantern circuits • Automatic change over from main to emergency supply
NLS 3000 BK01-E Conventional operator panel (mimic)	<ul style="list-style-type: none"> • Ship's mimic diagram with 7 LEDs for the main lanterns • Display and activation for up to 48 single lanterns • 4x buttons for special lantern functions • Backlit key bank labels (dimnable)
NLS 3000 BG01-E Graphically operator panel (touch screen)	<ul style="list-style-type: none"> • Graphics display with touch screen for operation • Customized JPG pictures for lantern display
NLS 3000 VM01-E VDR-module	<ul style="list-style-type: none"> • Connection to the VDR
NLS 3000 SM01-E Interface module	<ul style="list-style-type: none"> • Connection to the ship automation system
FMS 3000 DT01-E Data module	<ul style="list-style-type: none"> • Module to manage and manipulate the data on the SD card





SEABRIGHT®
BY A. MALLIOS

BRASS

LIGHTING FIXTURES
ELECTRICAL EQUIPMENT



MARINE **BRIGHT**
SOLUTIONS

SURFACE WATERLIGHT BRASS LIGHTS

PRODUCT DESCRIPTION

IP56

Application Area

- Brass lights for engine rooms, weather-exposed areas, cargo holds, deck, stores, workshops, industrial areas

Design

- According to the rules of international classification societies, VDE and IEC

Housing

- Body made of brass
- Diffuser made of glass

Electric

- 230 V 50 or 60 Hz

Lamp-holder

- E27

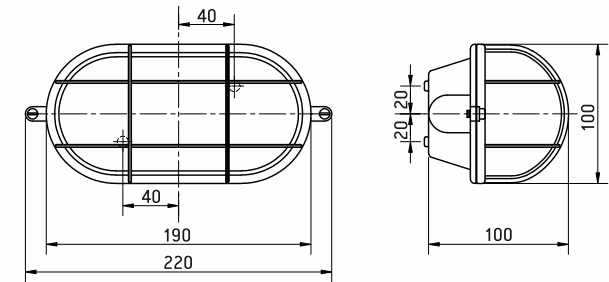
Mounting

- Please see the drawings

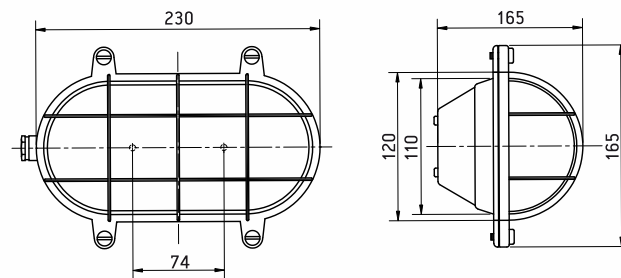
Cable Entry

- Please see the drawings

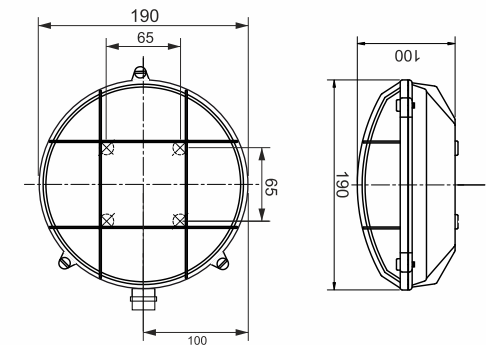
CODE 53-01



CODE 53-03



CODE 54-01



SURFACE WATERLIGHT BRASS LIGHTS

IP56

Application Area

- Brass lights for engine rooms, weather-exposed areas, cargo holds, deck, stores, workshops, industrial areas

- Design**
- According to the rules of international classification societies, VDE and IEC

Lamp-holder

- E27

PRODUCT DESCRIPTION

Housing

- Body made of brass
- Diffuser made of glass

Mounting

- Please see the drawings

Electric

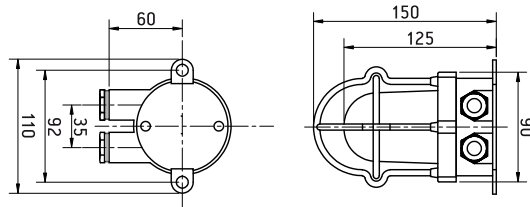
- 230 V 50 or 60 Hz

Cable Entry

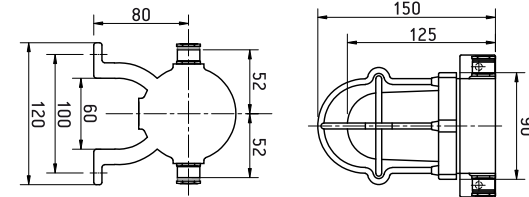
- Please see the drawings



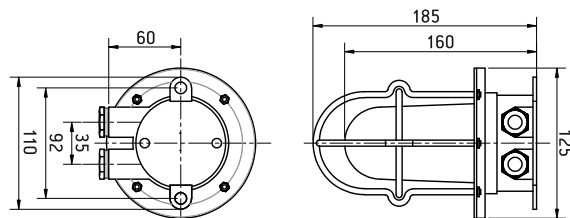
CODE 55-00



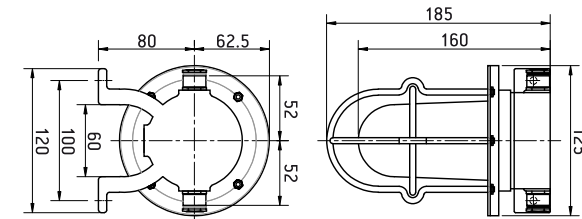
CODE 56-00



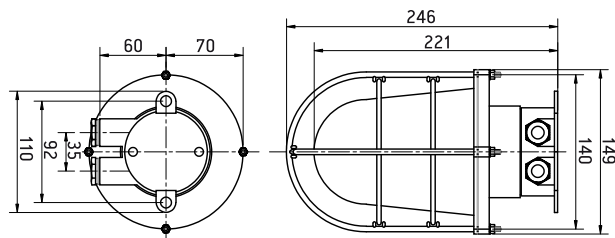
CODE 55-01



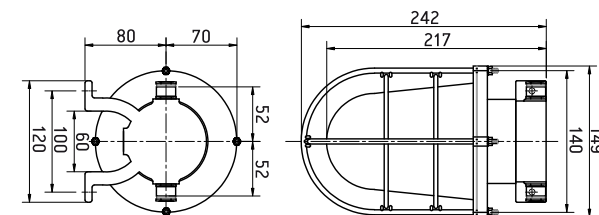
CODE 56-01



CODE 55-02



CODE 56-02



BRASS WATERLIGHT JUNCTION BOXES

PRODUCT DESCRIPTION

IP56

Application Area

- Brass Junction boxes for engine rooms, weather-exposed areas, cargo holds, deck, stores, workshops, industrial areas

Design

- According to the rules of international classification societies, VDE and IEC

Housing

- Body made of brass

Mounting

- Please see the drawings

Electric

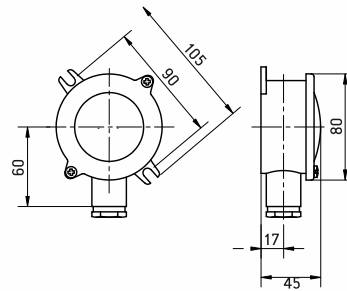
- 230 V 50 or 60 Hz

Cable Entry

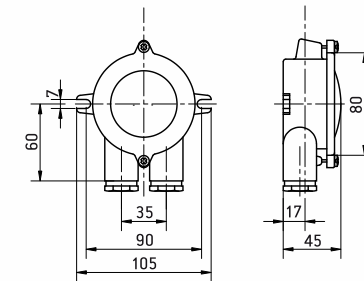
- M24x1,5



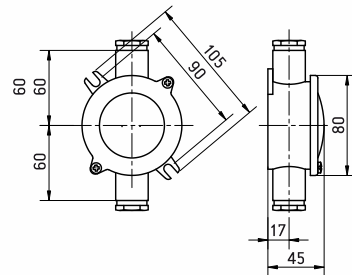
CODE 51-01



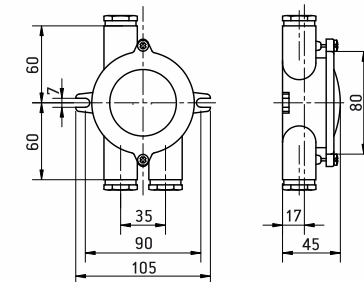
CODE 51-02



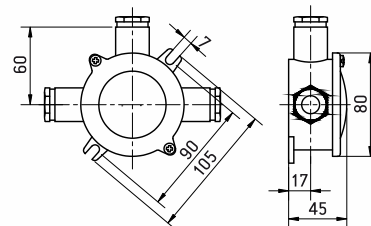
CODE 51-11



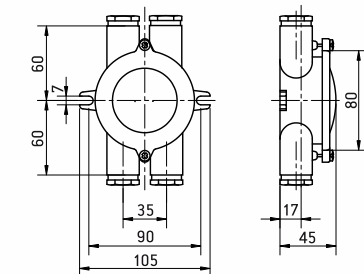
CODE 51-21



CODE 51-111



CODE 51-22



IP56

Application Area

- Brass electrical equipment for engine rooms, weather-exposed areas, cargo holds, deck, stores, workshops, industrial areas

Design

- According to the rules of international classification societies, VDE and IEC

Housing

- Body made of brass

Mounting

- Please see the drawings

Electric

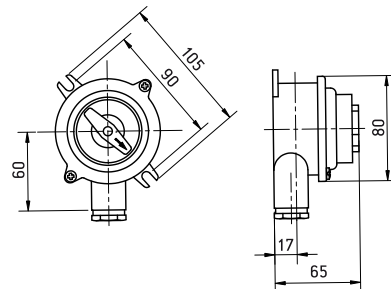
- 230 V 50 or 60 Hz

Cable Entry

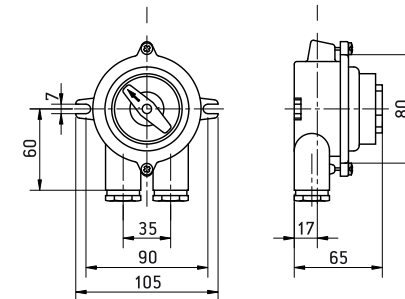
- M24x1,5



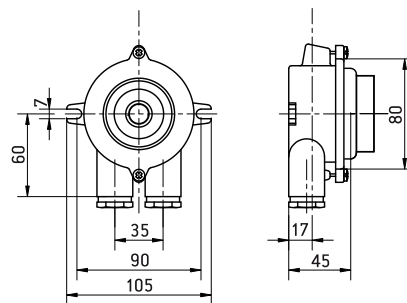
CODE 52-01



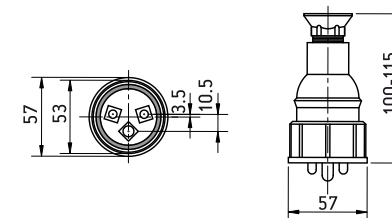
CODE 52-02



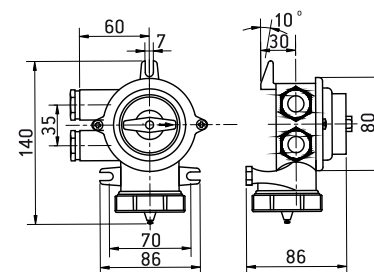
CODE 52-12



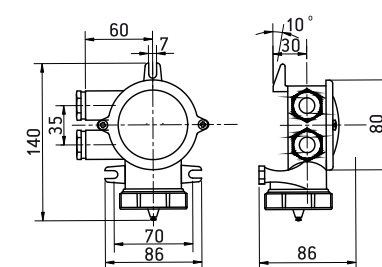
CODE 52-30



CODE 52-432



CODE 52-32



SEABRIGHT®
BY A. MALLIOS

M A R I N E B R I G H T S O L U T I O N S

📍 51, VASILIKON STR. - 185 40, PIRAEUS - GREECE ☎ +30 210 4082208, fax +30 210 4620888

✉ sales@seabright.gr www.seabright.gr